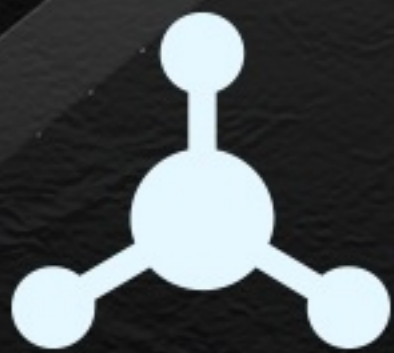


ZEAPON

Outplorer SERIES

UNIVERSAL MAGIC ARM



**POWERFUL
EXPANSION**



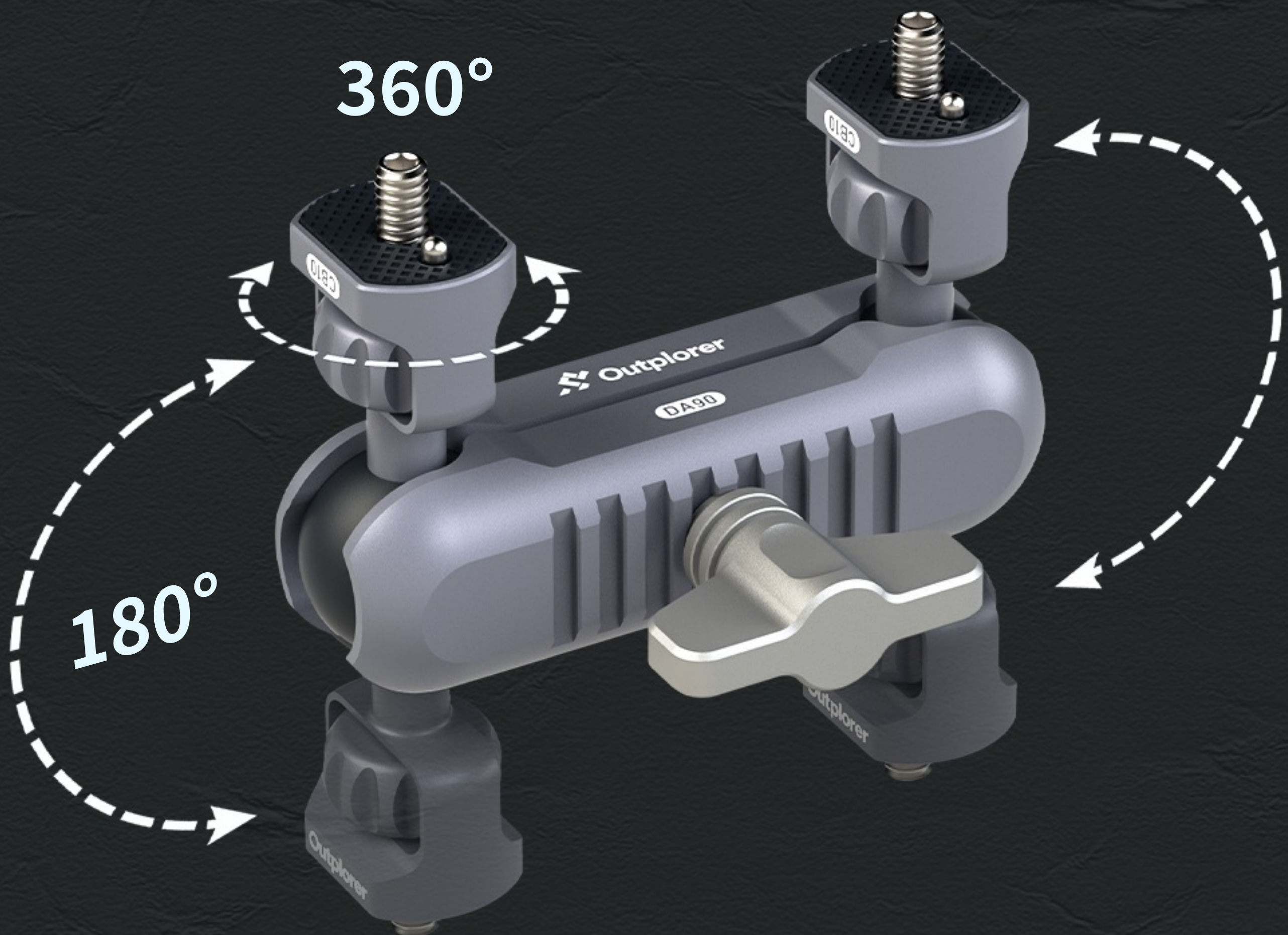
**UNIVERSAL
ROTATION**



**STRONG
AND STURDY**

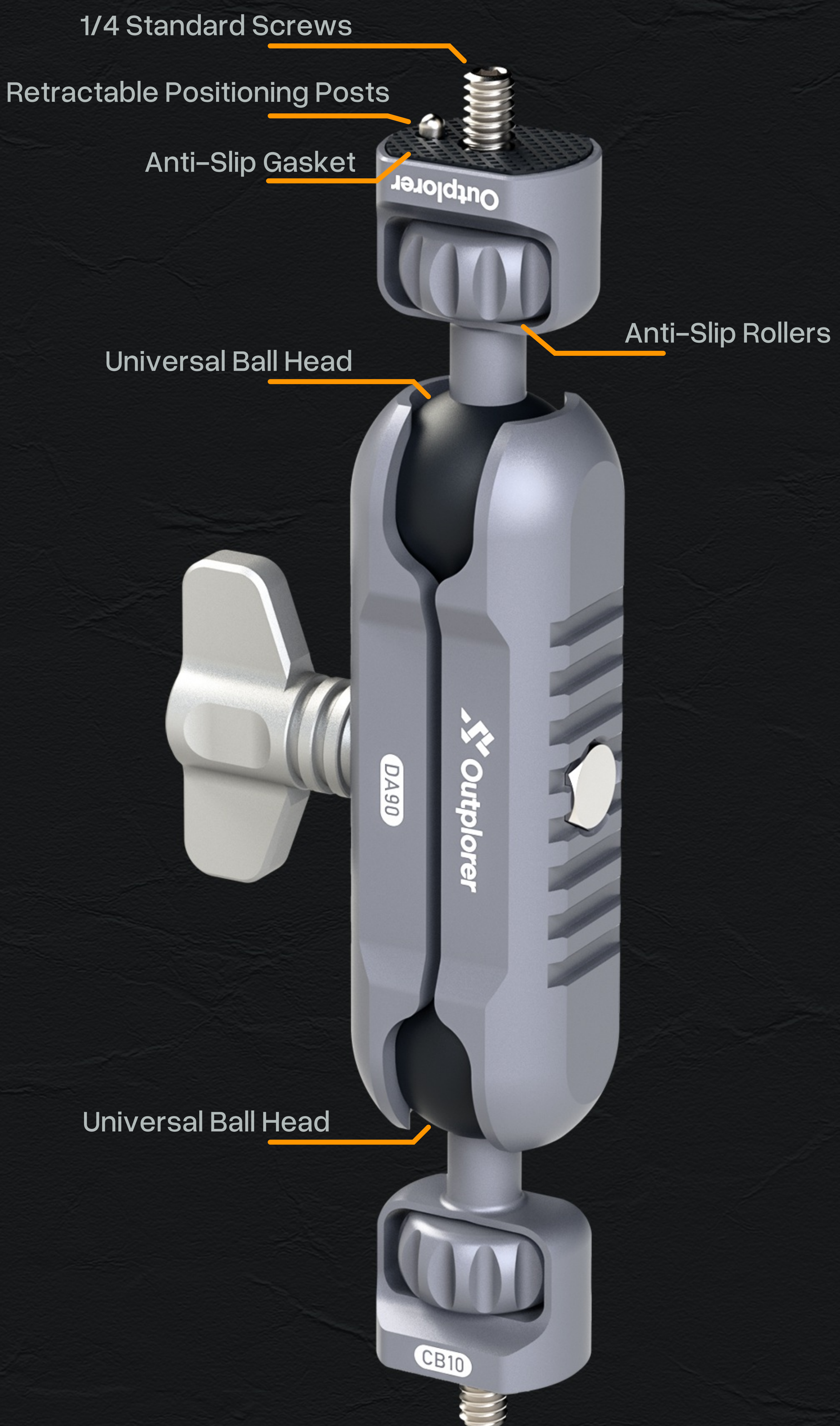
Universal Rotation Angle as You Wish

The Outplorer Universal Magic Arm adopts
a double universal ball head
connecting rod design to rotate in any direction,
and the angle can be adjusted as desired.

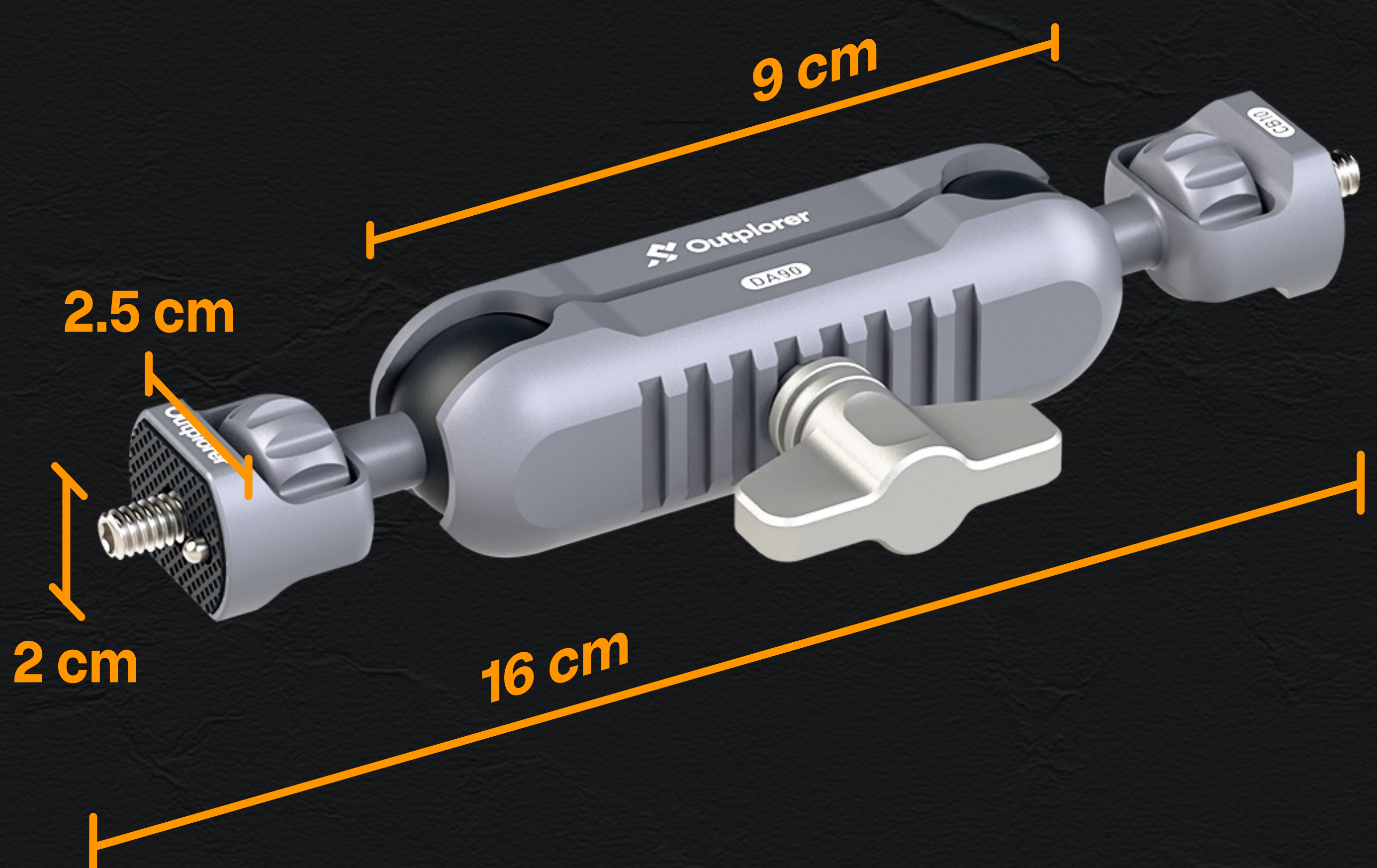


Ingenious Design

The main body of Outplorer magic arm uses **zinc alloy** technology, which has high strength, high hardness, impact resistance and good corrosion resistance, which is enough to face various harsh environments.



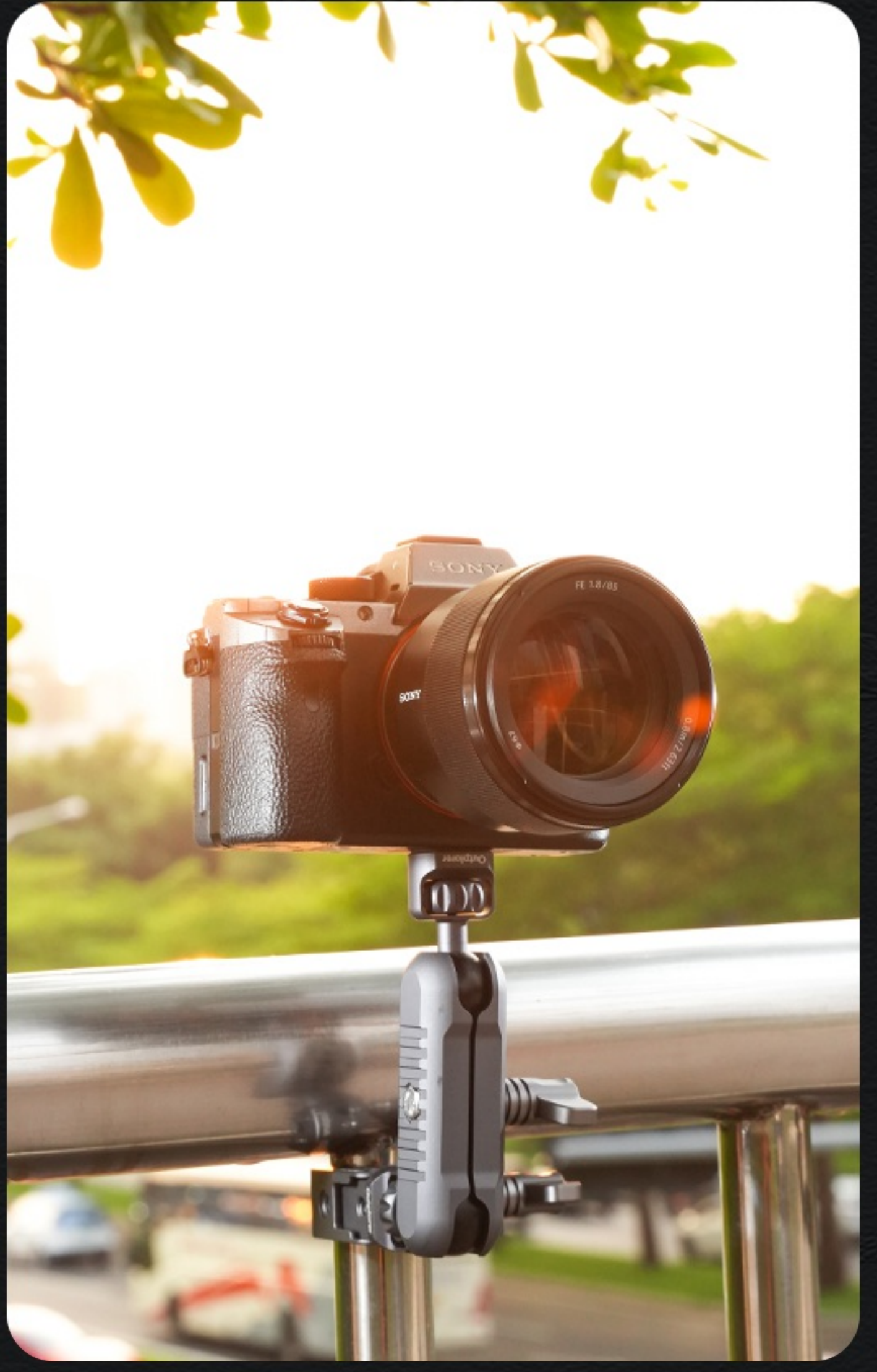
At the same time, **anti-slip gaskets** and **retractable positioning posts** are added to make the design more stable and safer to shoot.



Extra Large Load-Bearing Image Without Worry

The maximum load-bearing capacity of
Outplorer's magic hand can reach **5KG**.
The clamping is more stable and the image
is more worry-free.







MULTI-FUNCTION KIT

More Compatible | More Stable | High Strength

