

Outplorer

Panoramic / Action Camera Kit

G100

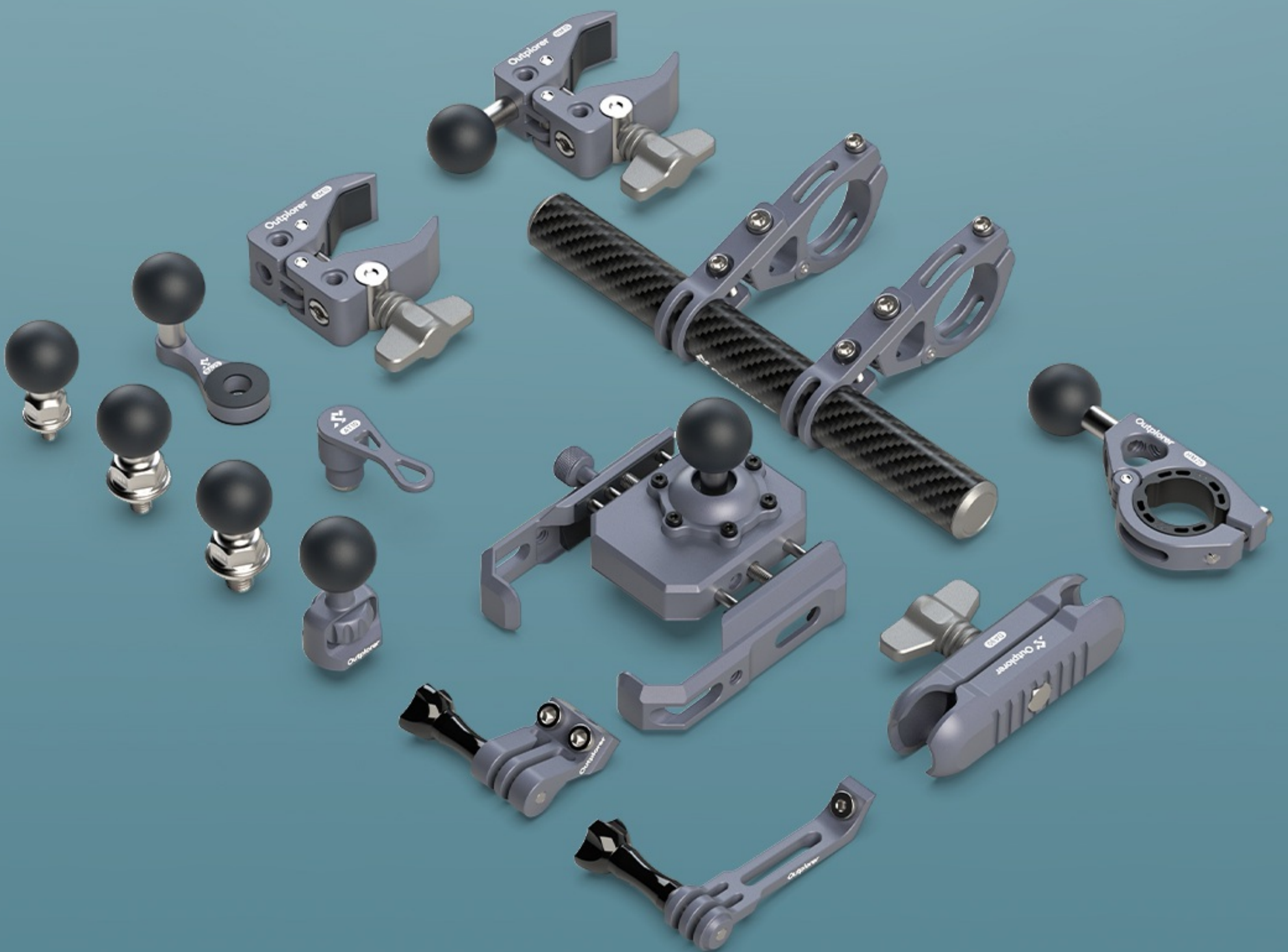


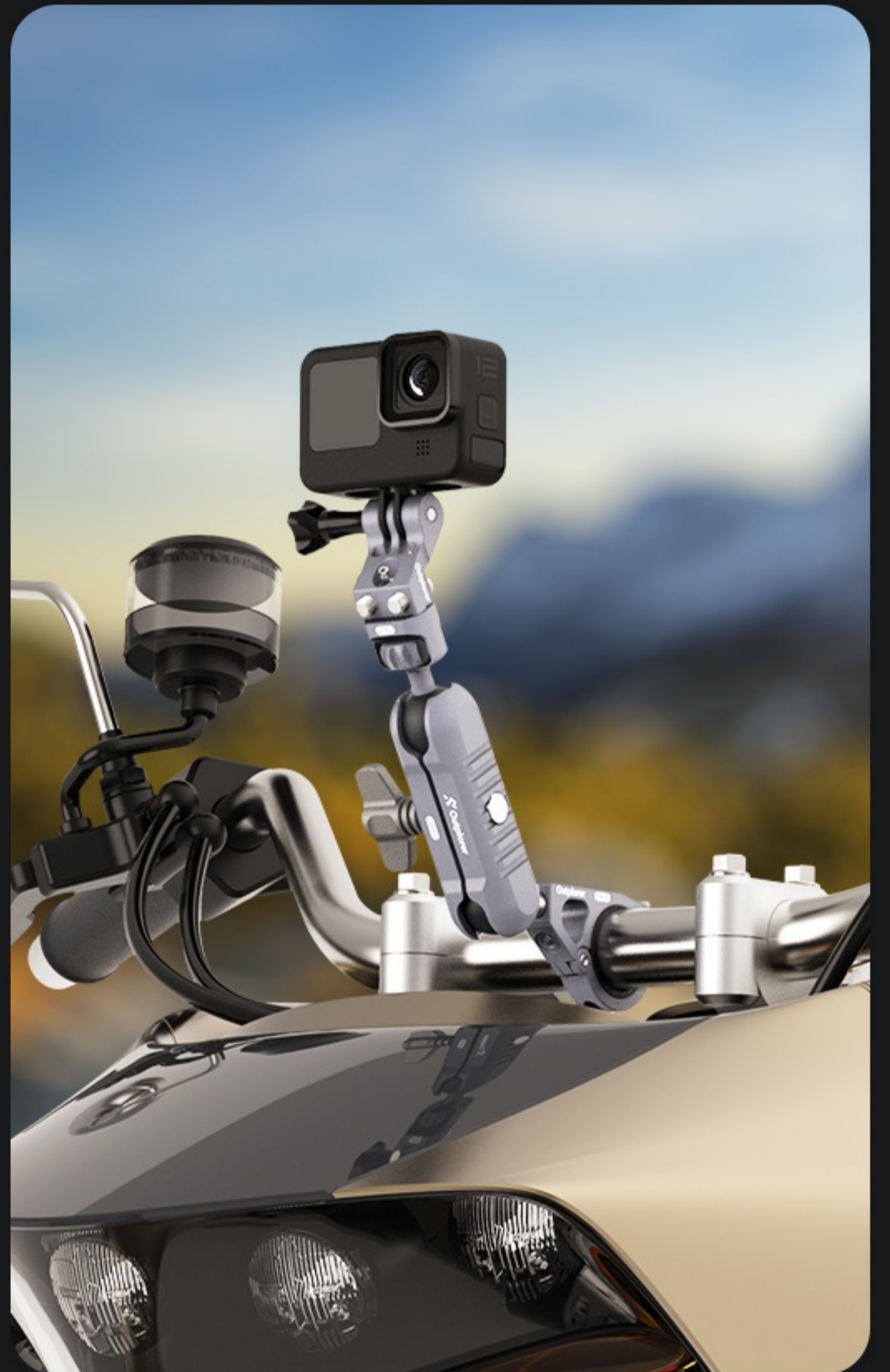
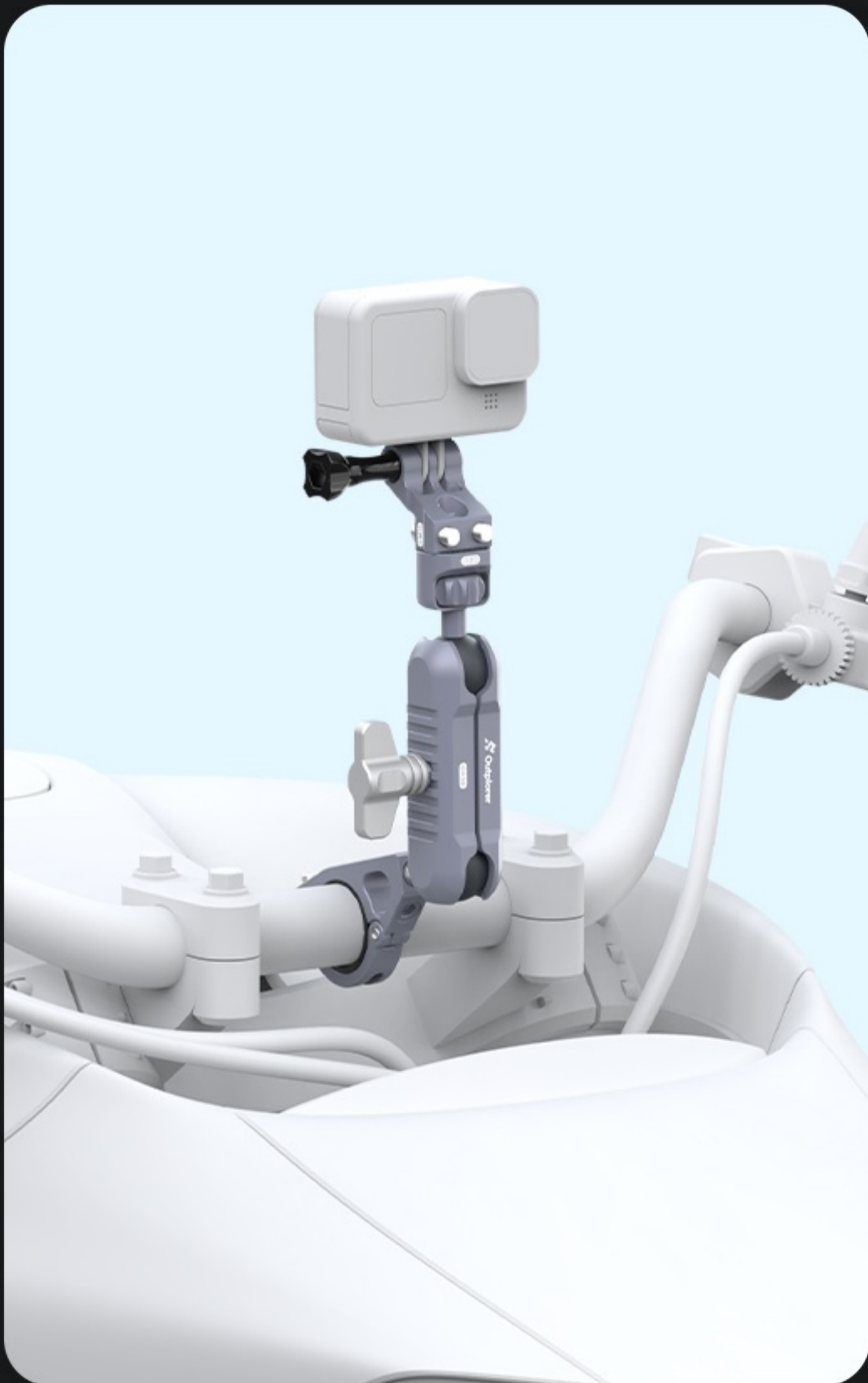


G100
Panoramic / Action Camera Kit

Modular Design

The Outplorer air suspension mount series products adopt a **modular design**, where different modules combine to adapt to various scenarios and carriers, offering cycling enthusiasts more freedom for hands-on space and choice of play.



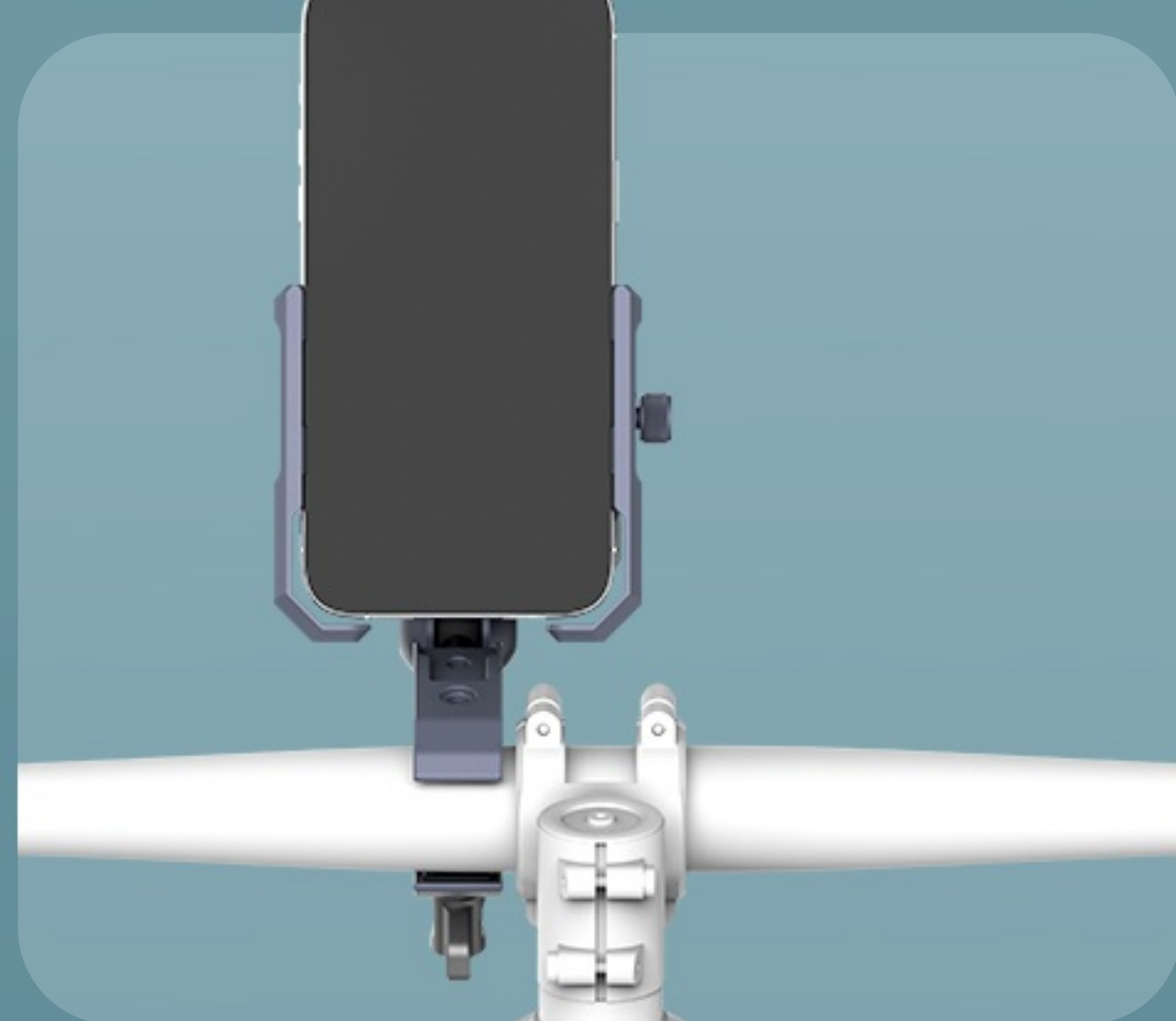
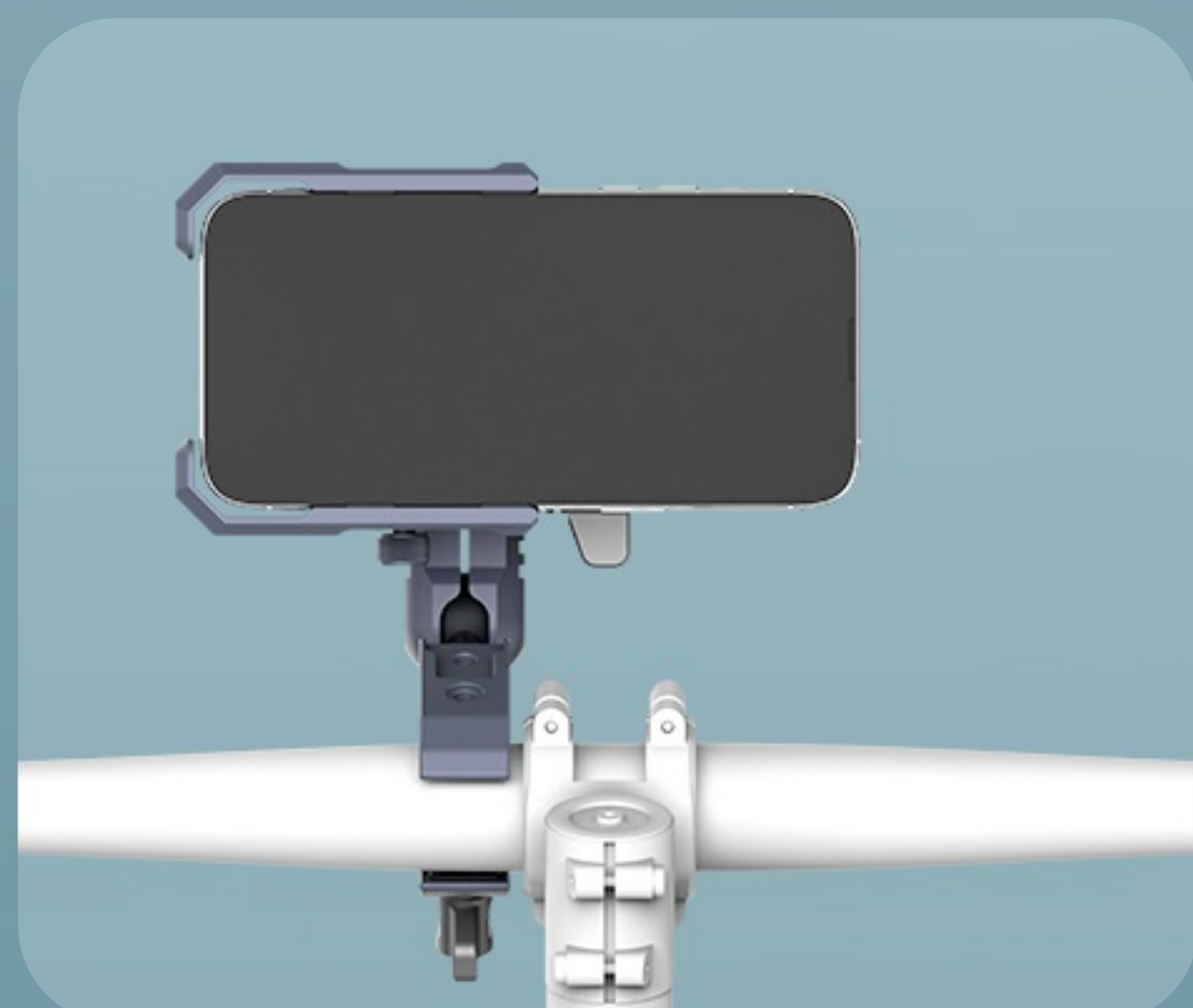


Universal Rotation Angle as You Wish

The support rod part of the Outplorer air suspension mount series adopts a universal ball head connecting rod design.



It allows the rider to **freely adjust** the installation angle of the equipment, and can adapt to different equipment and installation environments by replacing the corresponding **ball head accessories**.



25.4 mm (1 inch)
Standard Steel Core
Ball Head

Anti-Theft Design

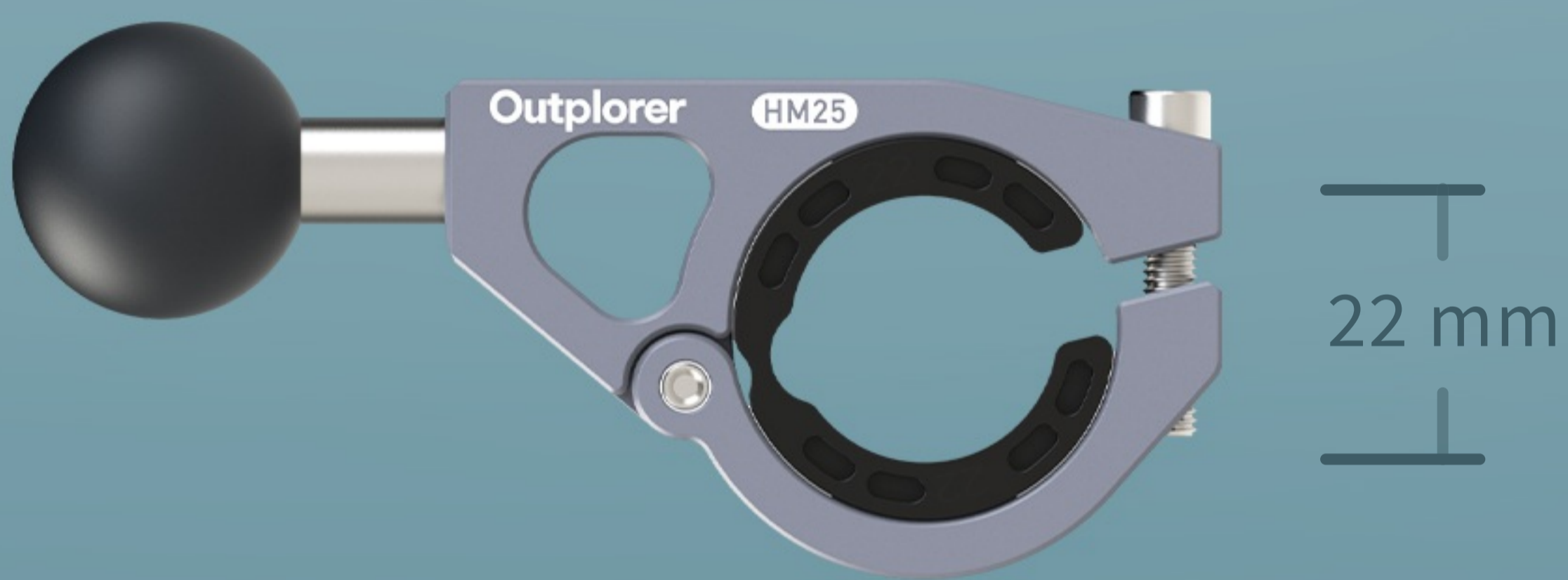
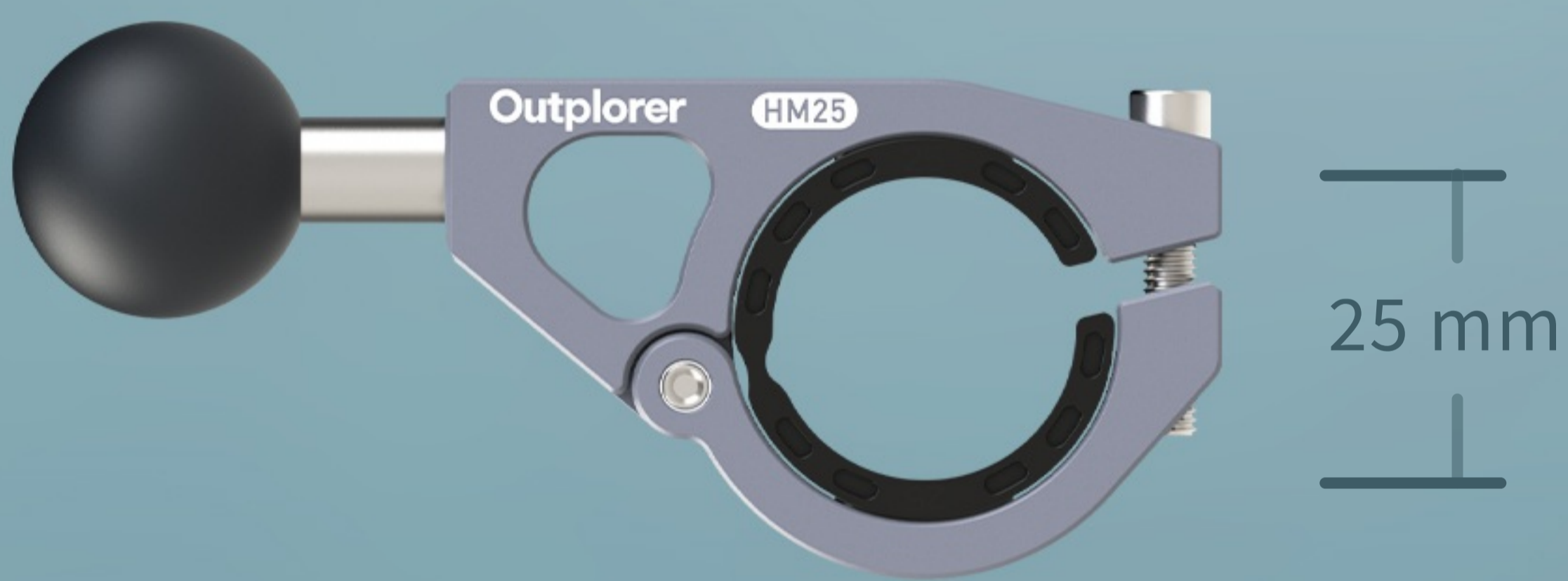
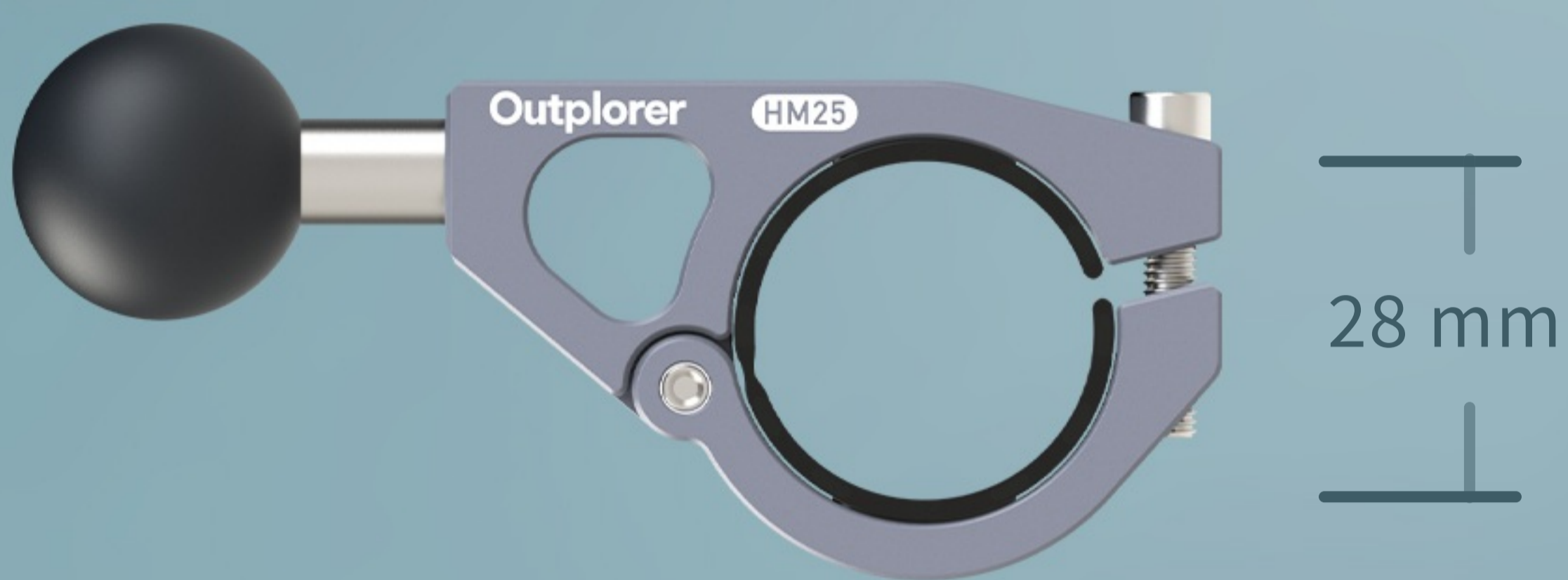
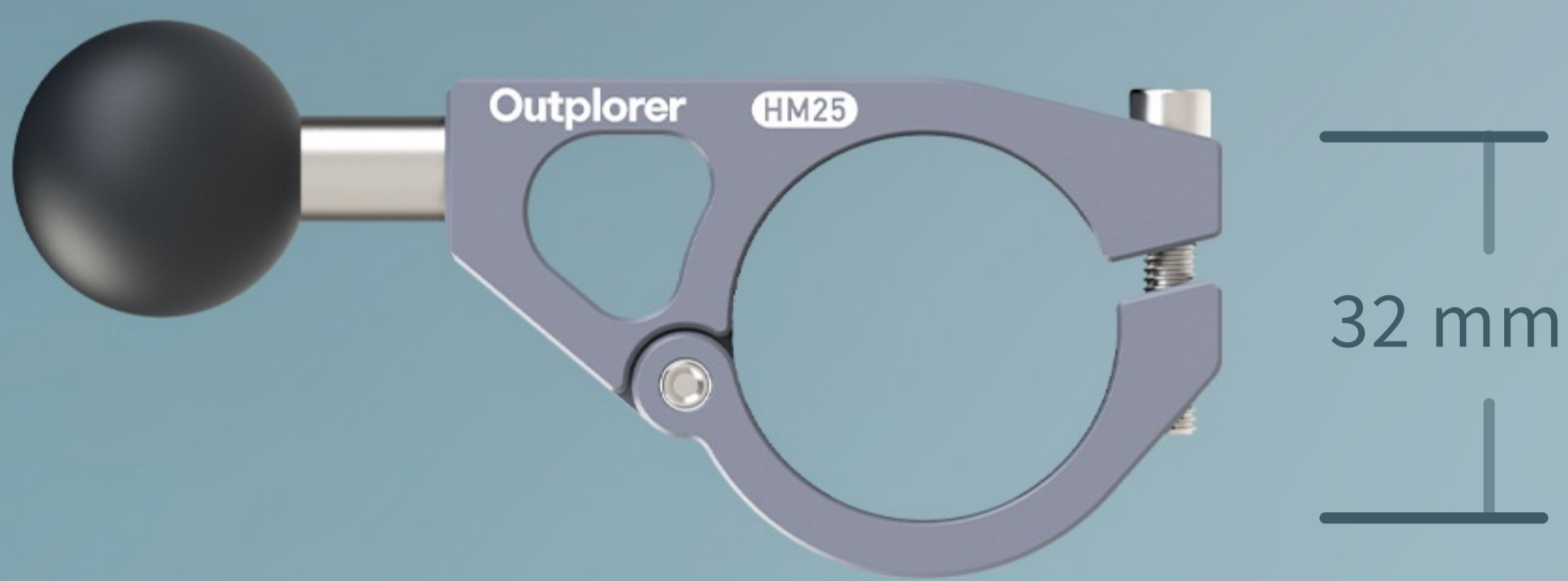
The anti-theft knob can be replaced when parked outdoors for a long time, and a dedicated wrench is required to open it.



* Anti Theft Bolt Kit Requires Additional Purchase

Wide Applicability

The Outplorer clamp mount maximum clamping distance can reach **32mm**, and it can achieve a minimum clamping range of **22mm**, meeting the needs of users in most usage scenarios.

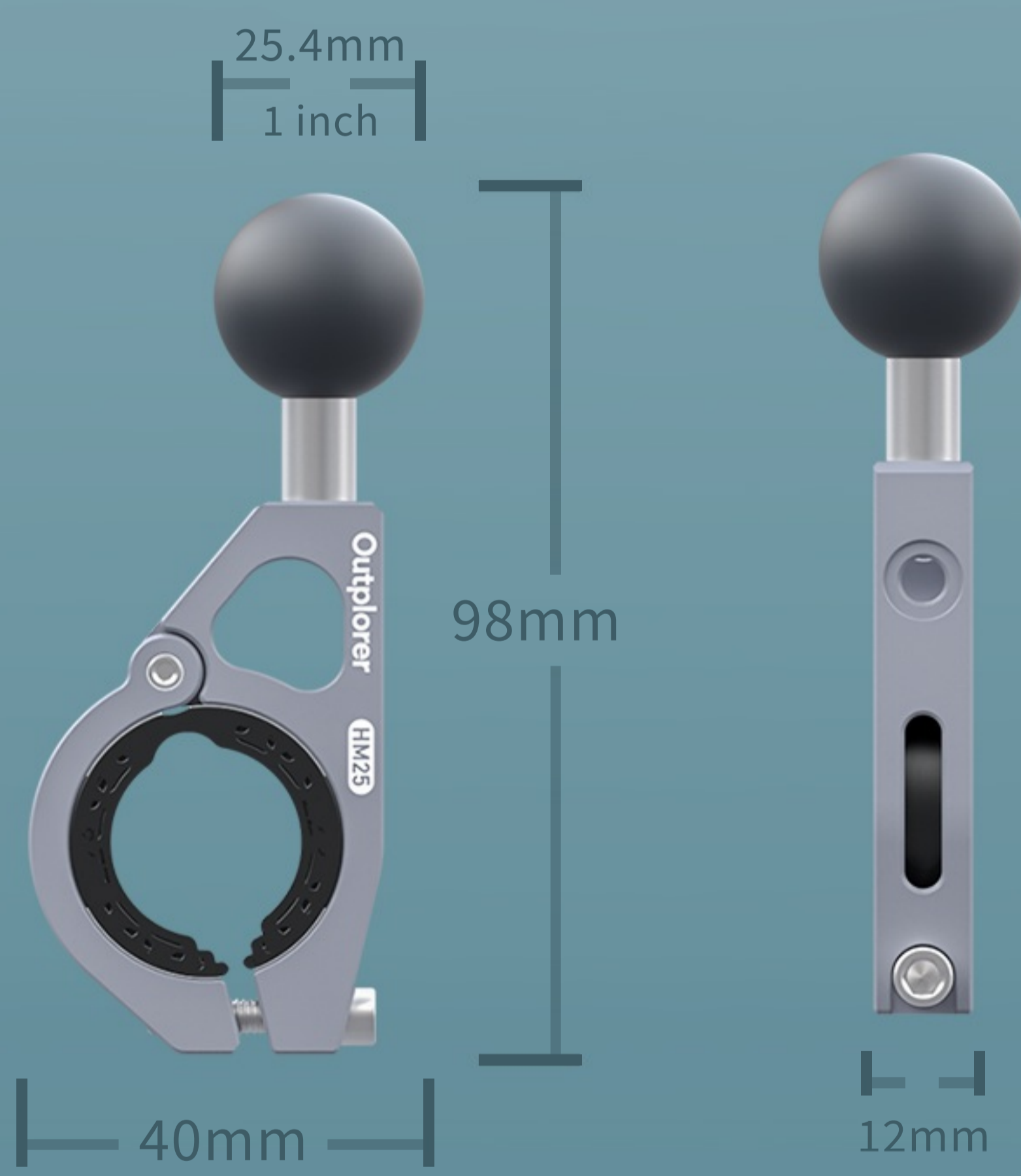
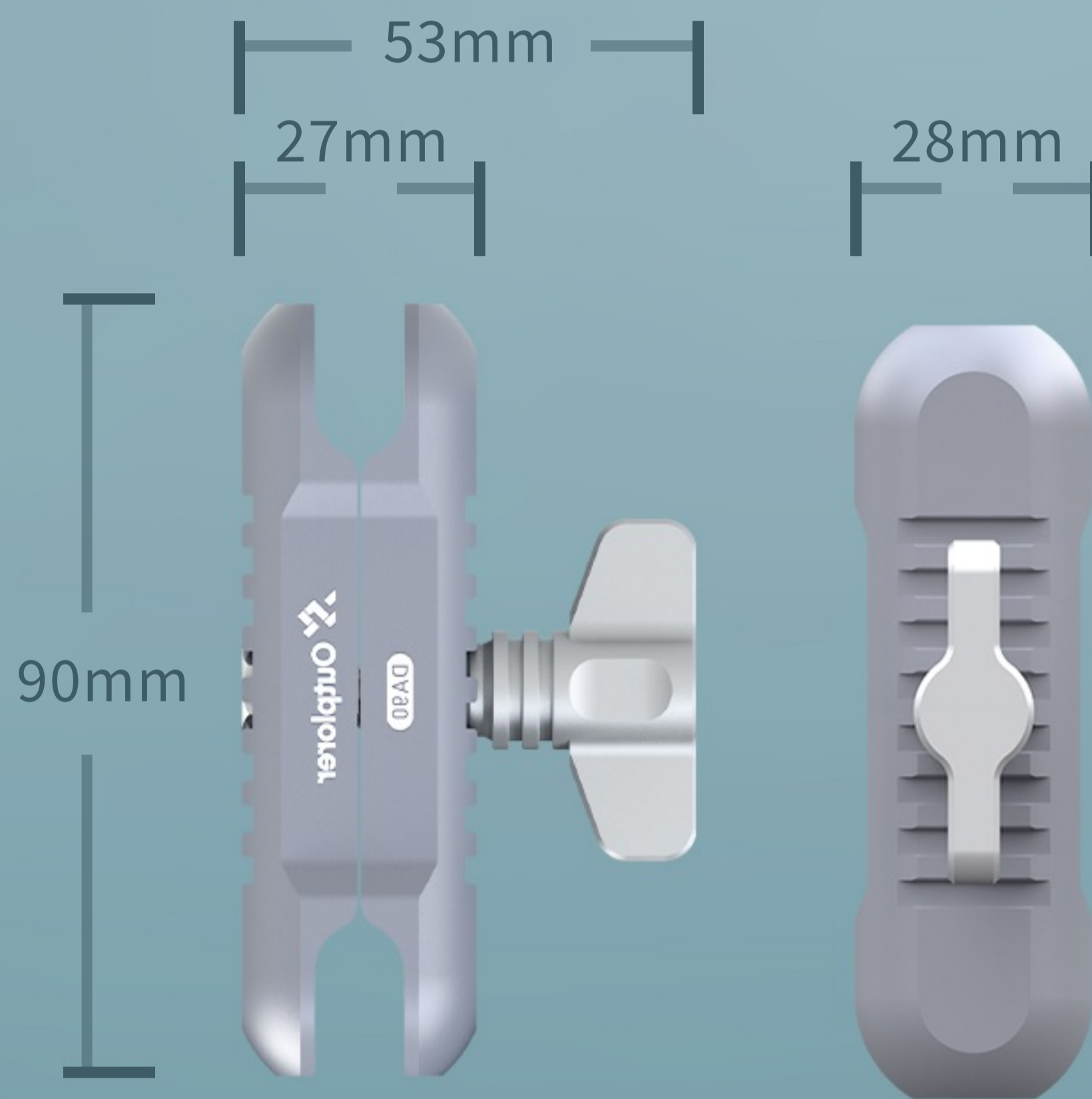
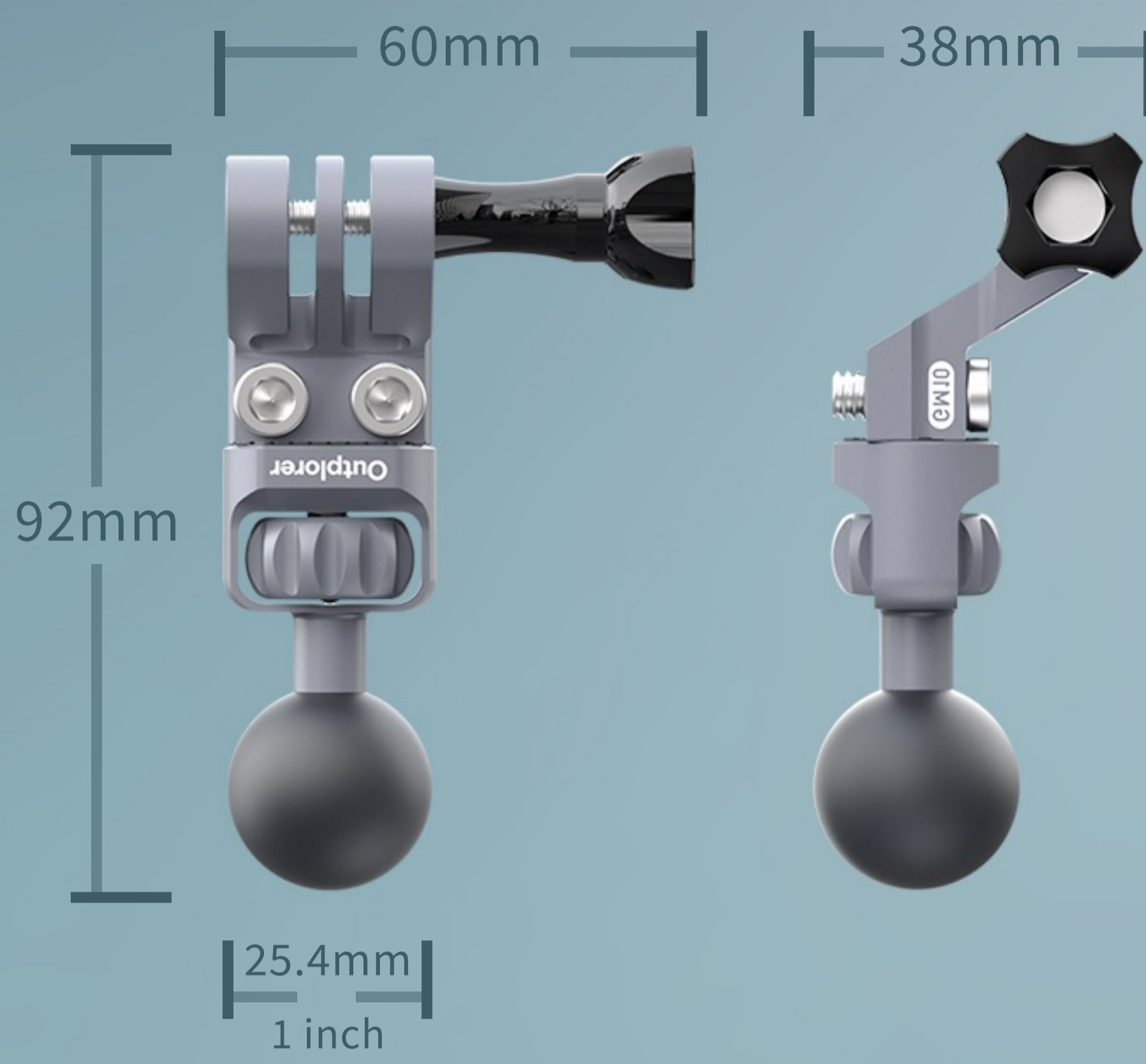


The Plastic Ring Insert for the Handlebar Mount

Offering enhanced protection for your cherished vehicle, safeguarding it from the vexation of scratches.

Product Specifications

The measurements of the dimensions are manually conducted, hence a slight tolerance is inevitable. We kindly ask for your understanding.



Name

Panoramic/Action Camera Kit

Model

G100

Material

Aluminum Alloy, Zinc Alloy, Stainless Steel, TPR