

# Outplorer

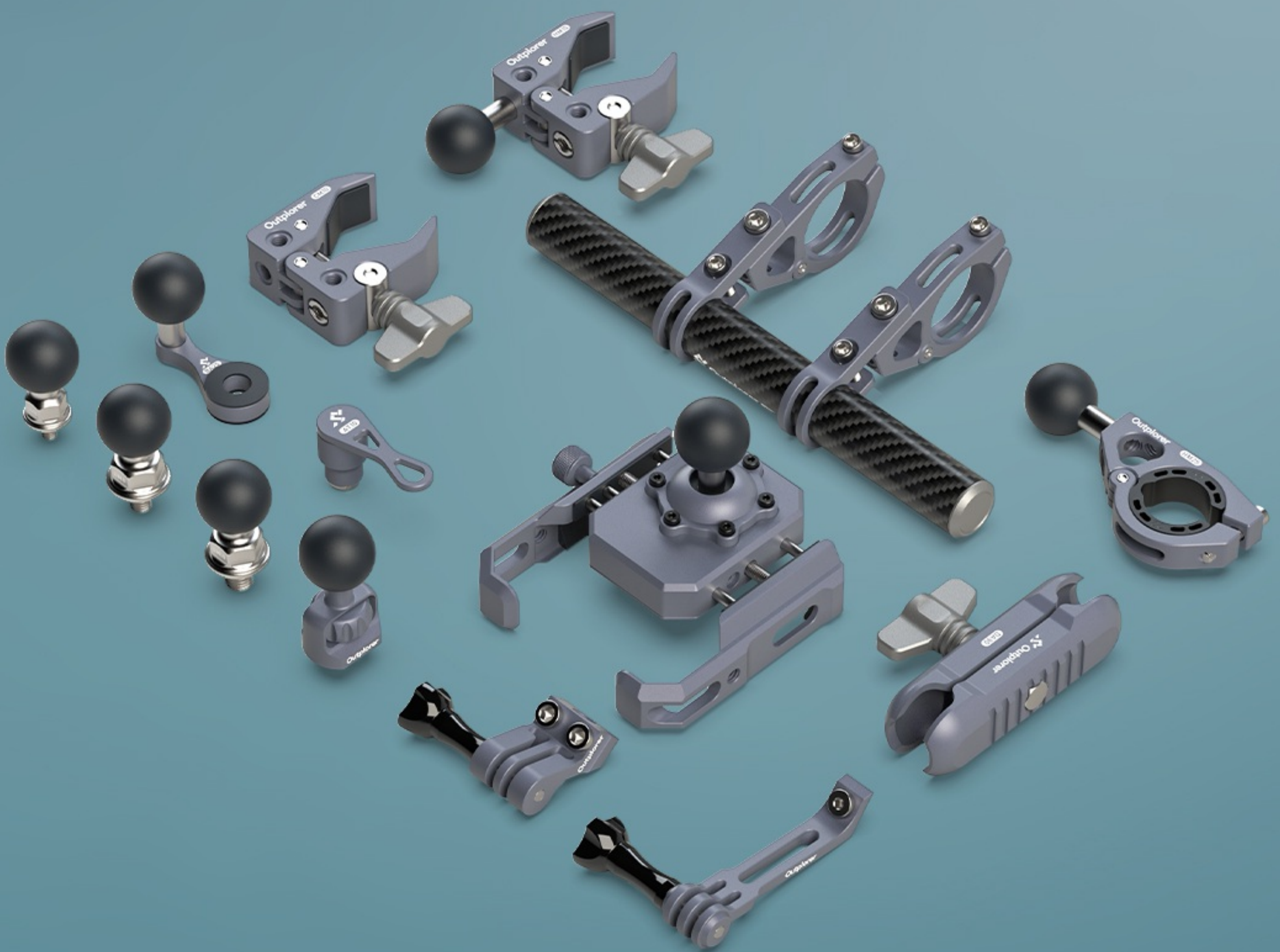
Handlebar Clamp Mount

HM10



# Modular Design

The Outplorer air suspension mount series products adopt a **modular design**, where different modules combine to adapt to various scenarios and carriers, offering cycling enthusiasts more freedom for hands-on space and choice of play.





# Powerful Expandability

The Outplorer phone mount features multiple protective pads. Both the phone clamp and the handlebar clamp mount are designed with several standard **1/4 inch screw holes** and a **cold shoe interface**, making it convenient for users to expand or assemble other accessories on their own.

Cold Shoe Interface × 1

Protective Padding × 2

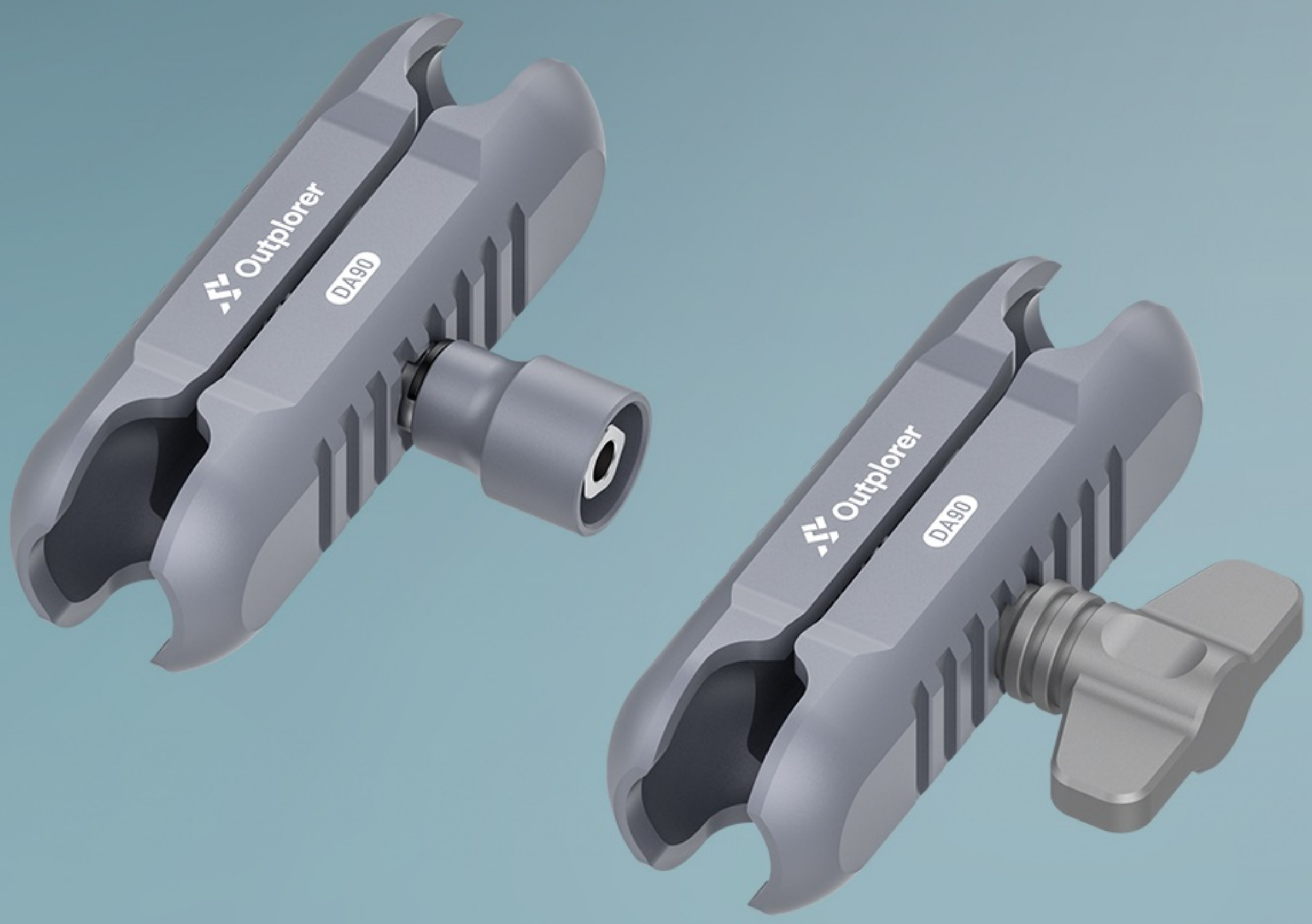
Standard 1/4 Inches Screw Hole × 4

Standard 3/8 Inches Screw Hole × 1

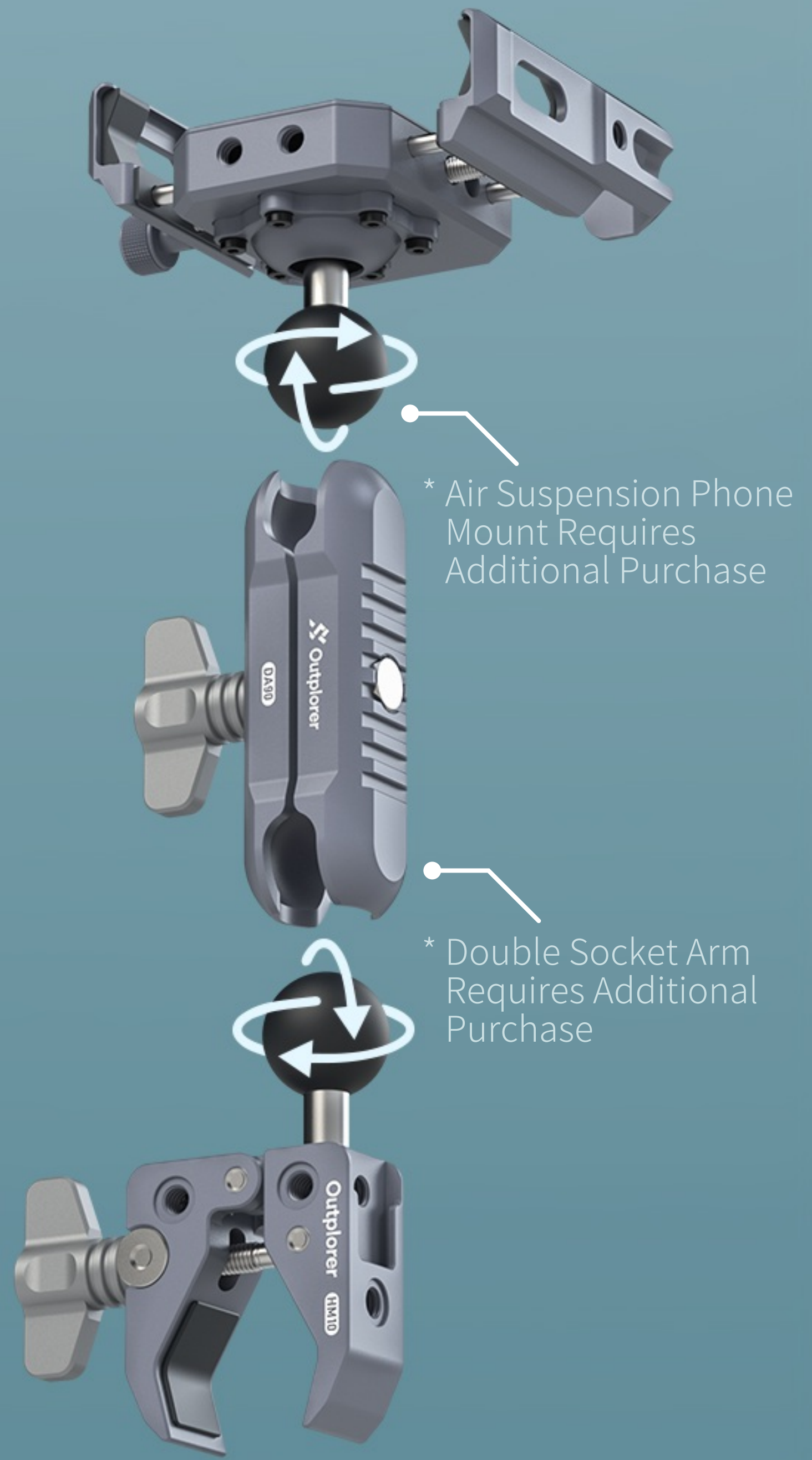
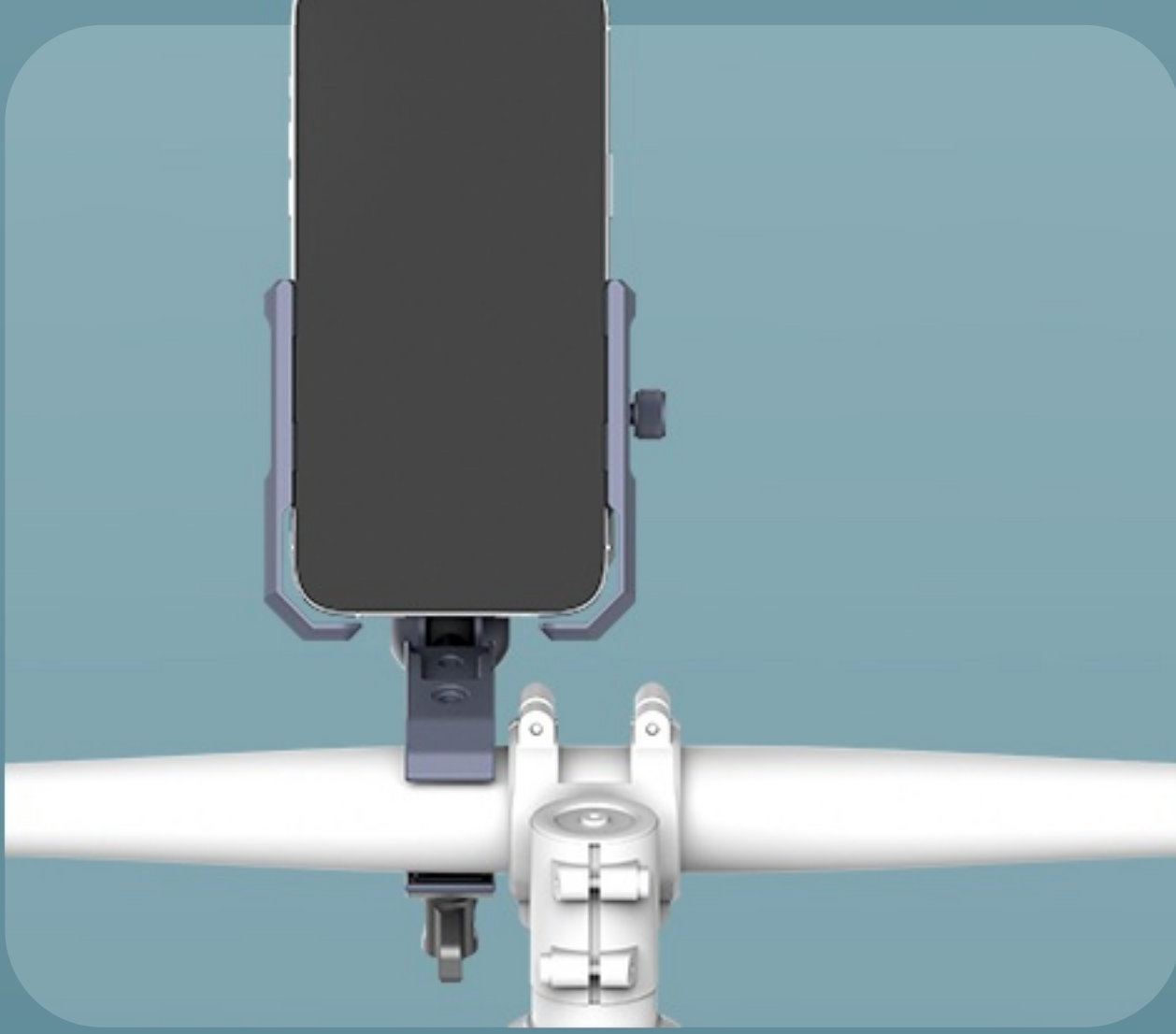
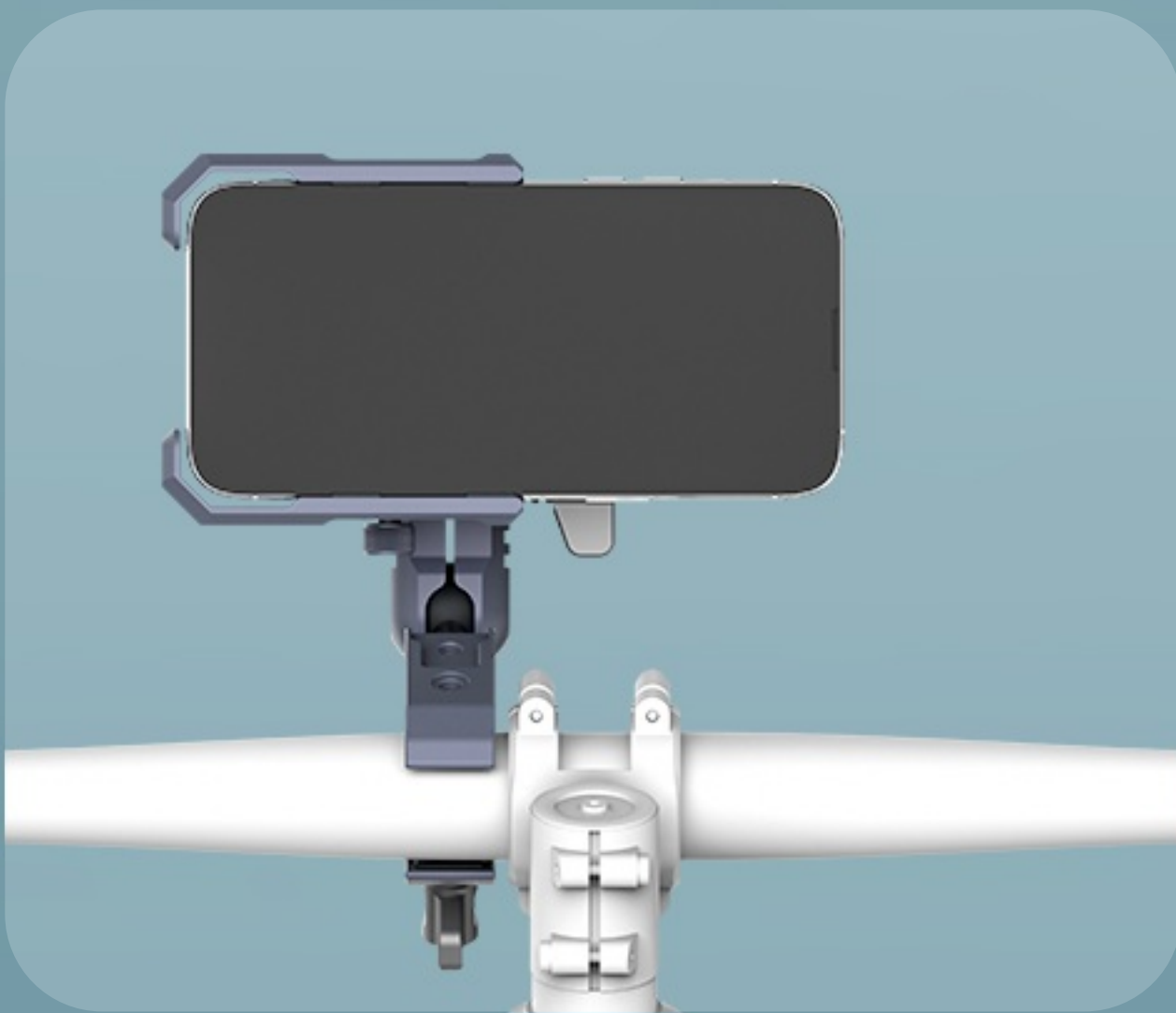


# Universal Rotation Angle as You Wish

The support rod part of the Outplorer air suspension mount series adopts a universal ball head connecting rod design.



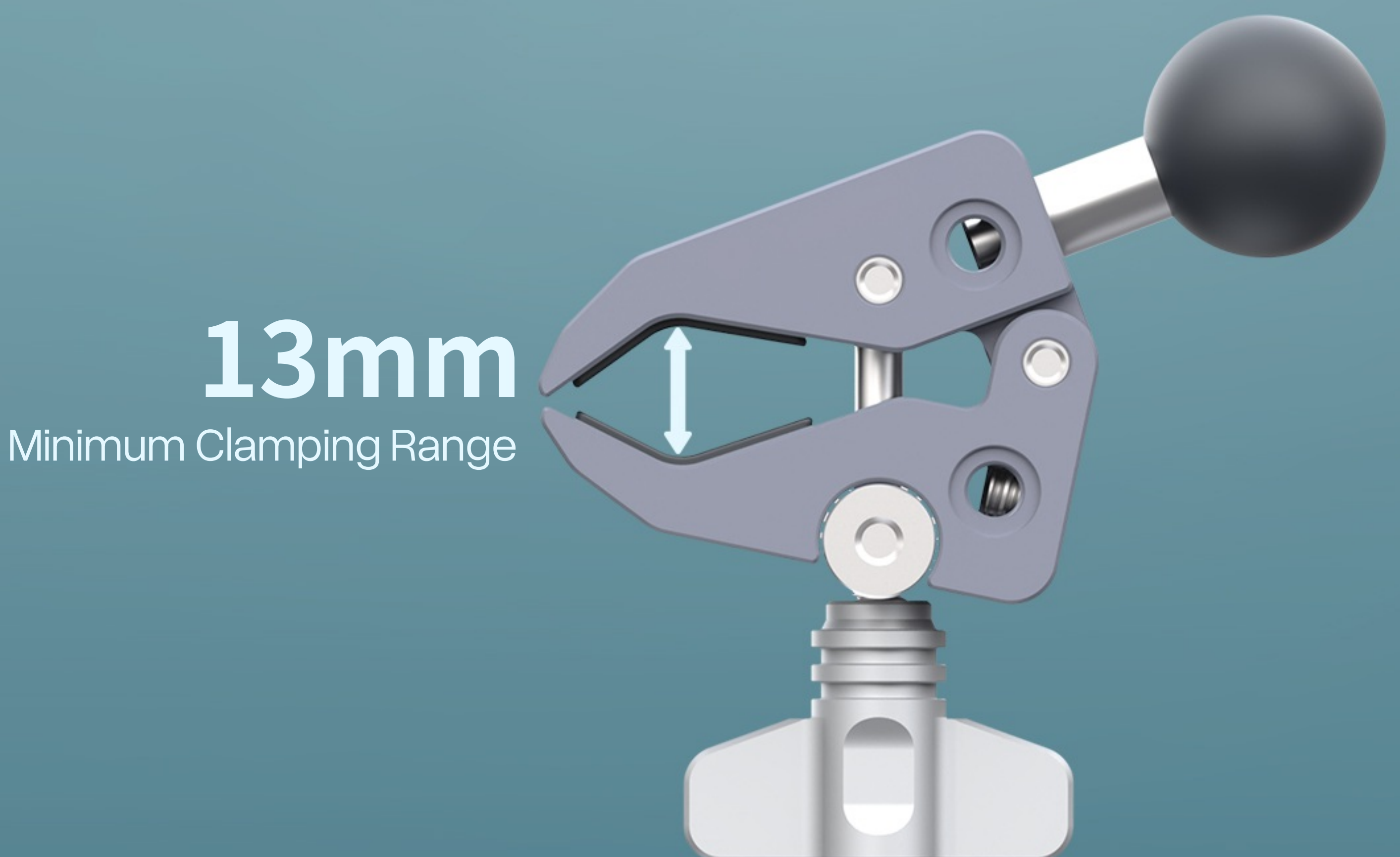
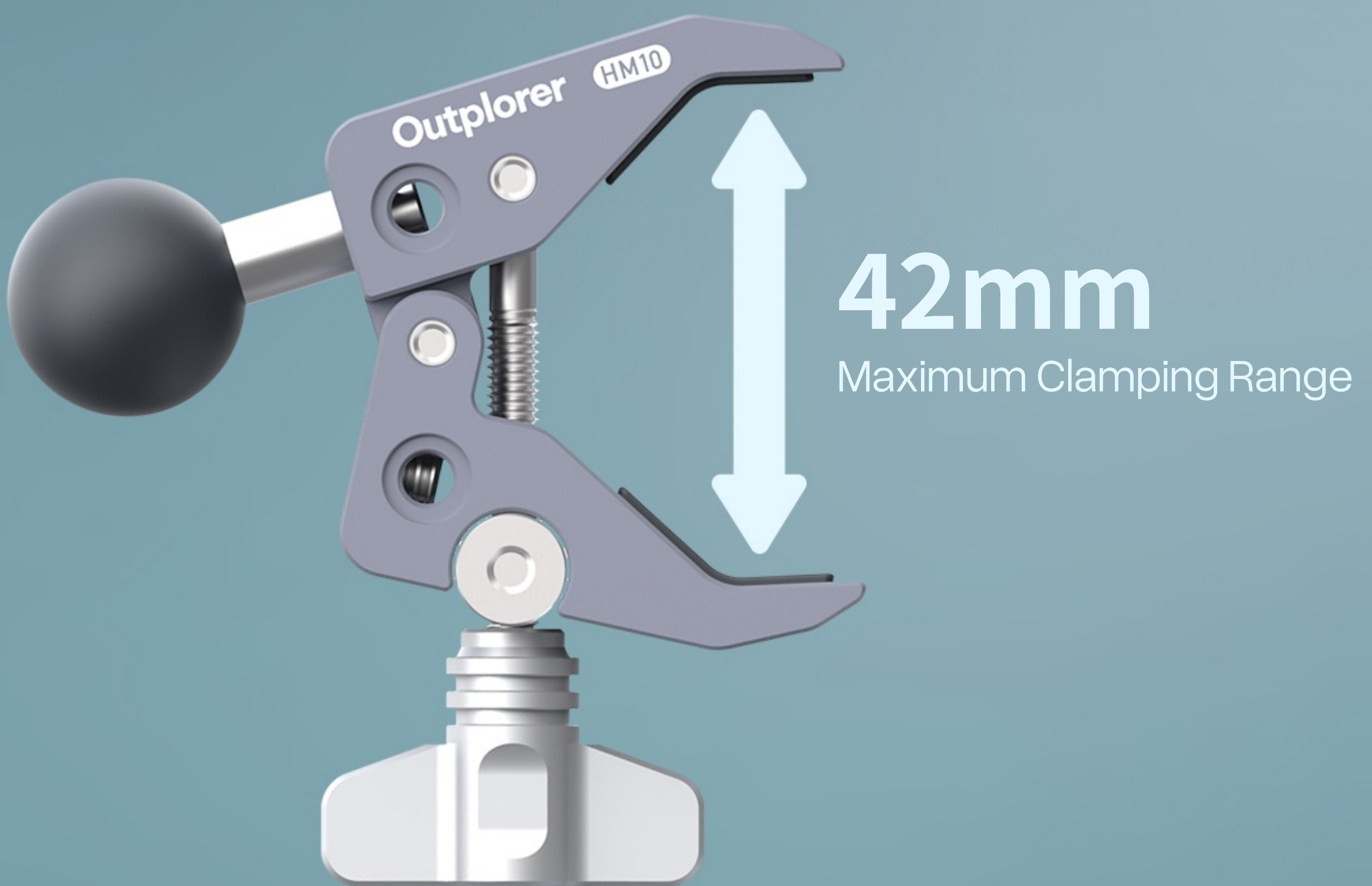
It allows the rider to **freely adjust** the installation angle of the equipment, and can adapt to different equipment and installation environments by replacing the corresponding **ball head accessories**.



25.4 mm (1 inch)  
Standard Steel Core  
Ball Head

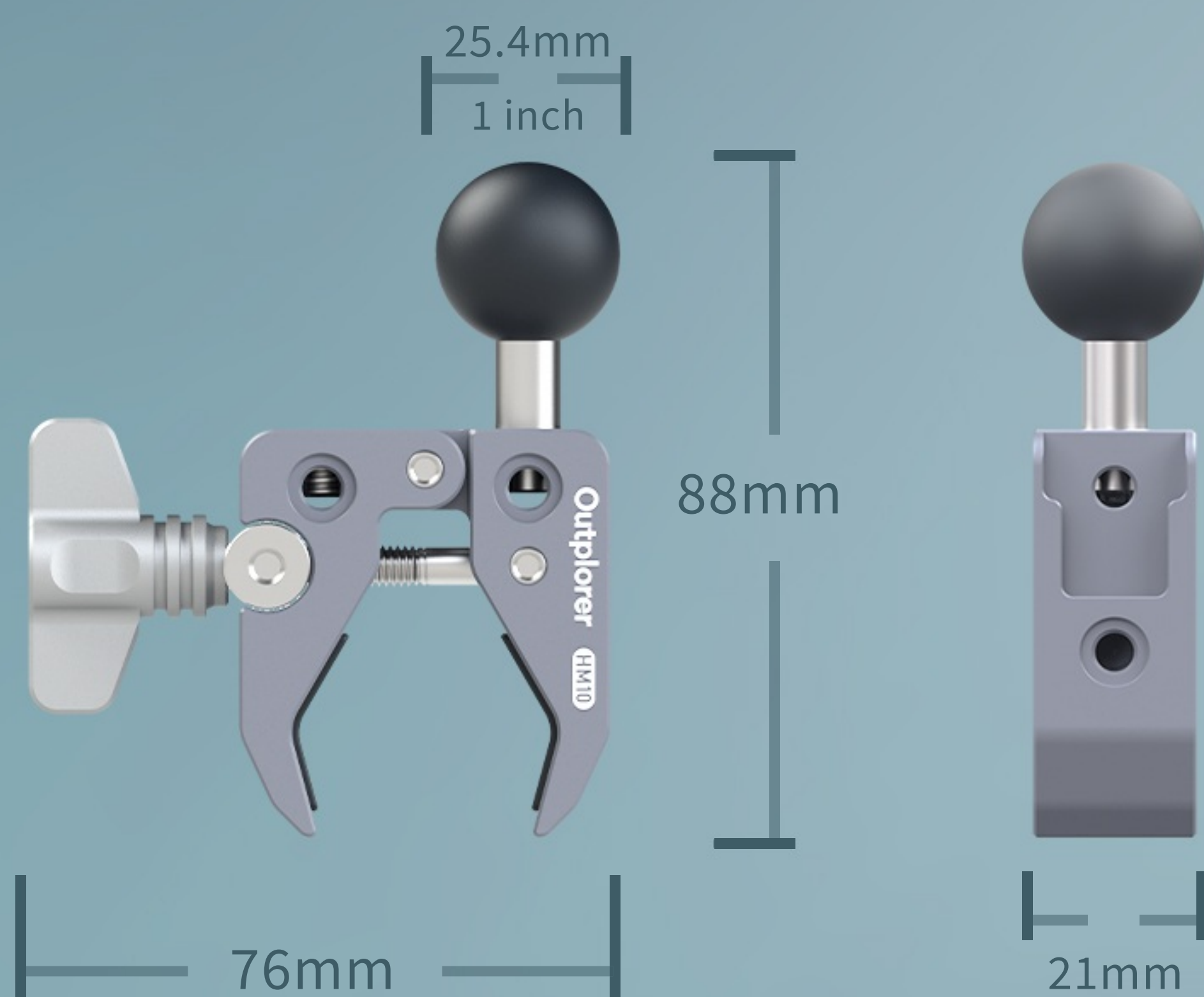
# Wide Applicability

The Outplorer clamp mount maximum clamping distance can reach **42mm**, and it can achieve a minimum clamping range of **13mm**, meeting the needs of users in most usage scenarios.



# Product Specifications

The measurements of the dimensions are manually conducted, hence a slight tolerance is inevitable. We kindly ask for your understanding.



**Name**

Handlebar Clamp Mount

**Model**

HM10

**Material**

Aluminum Alloy,  
Stainless Steel, TPR