

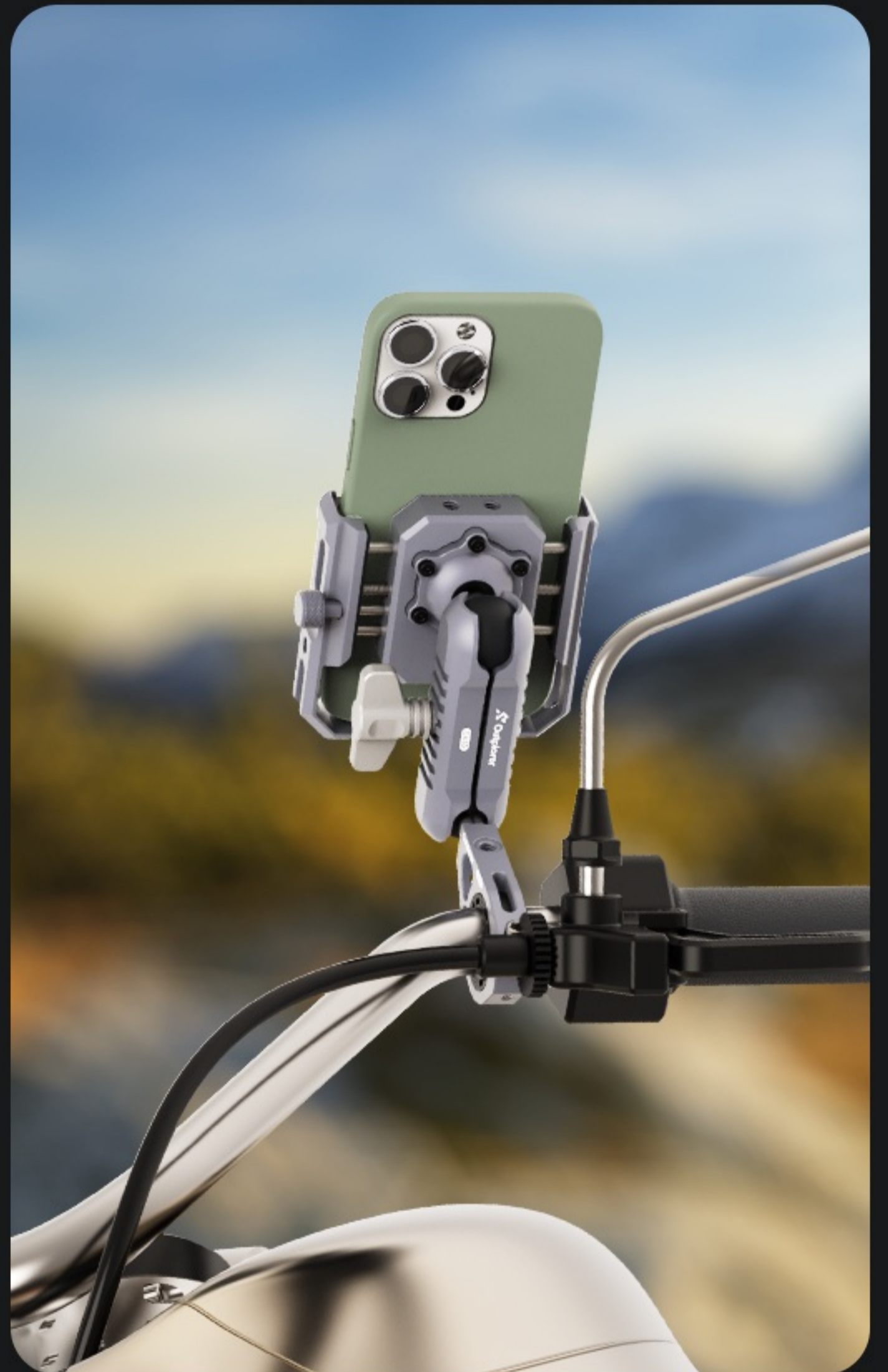
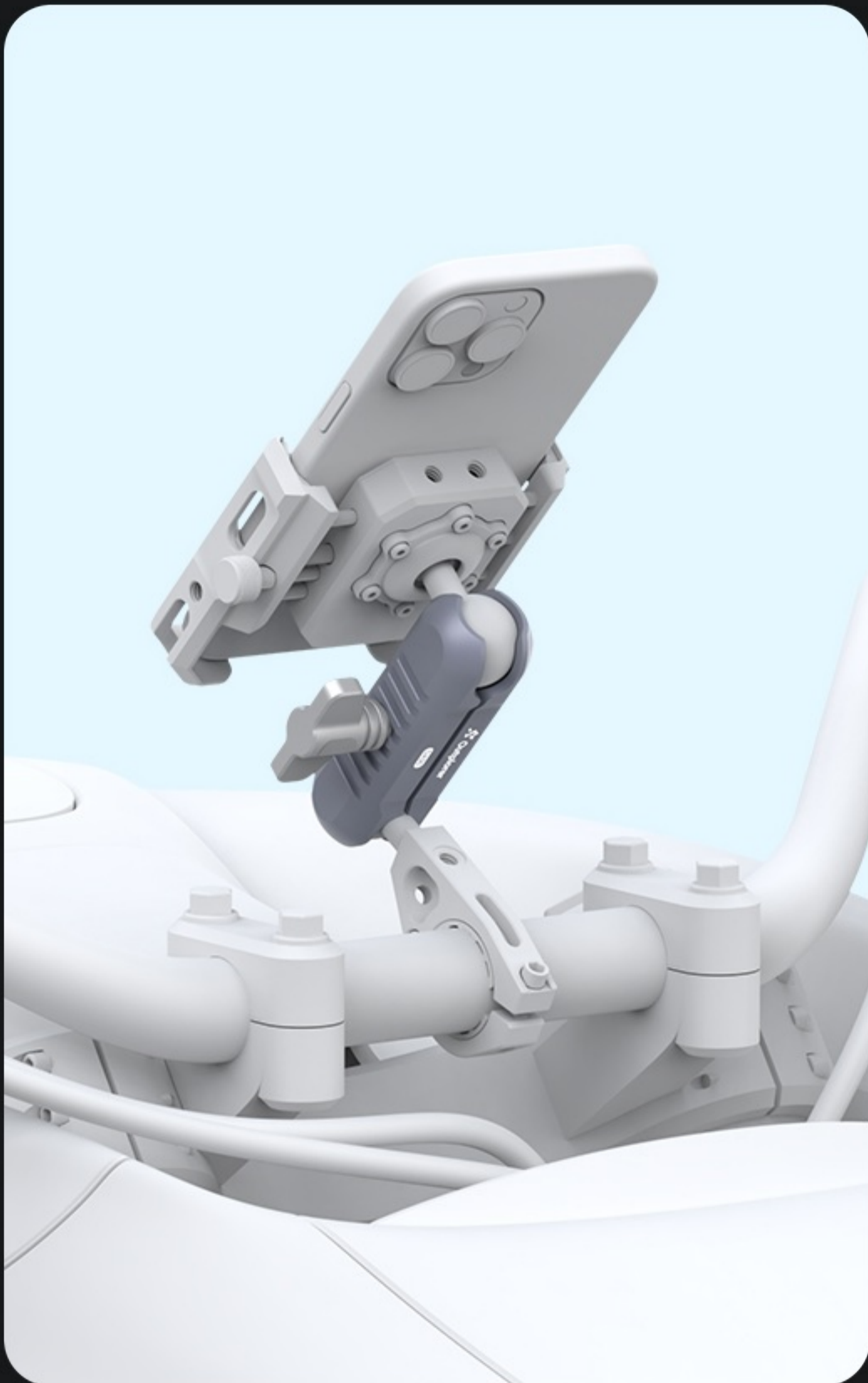
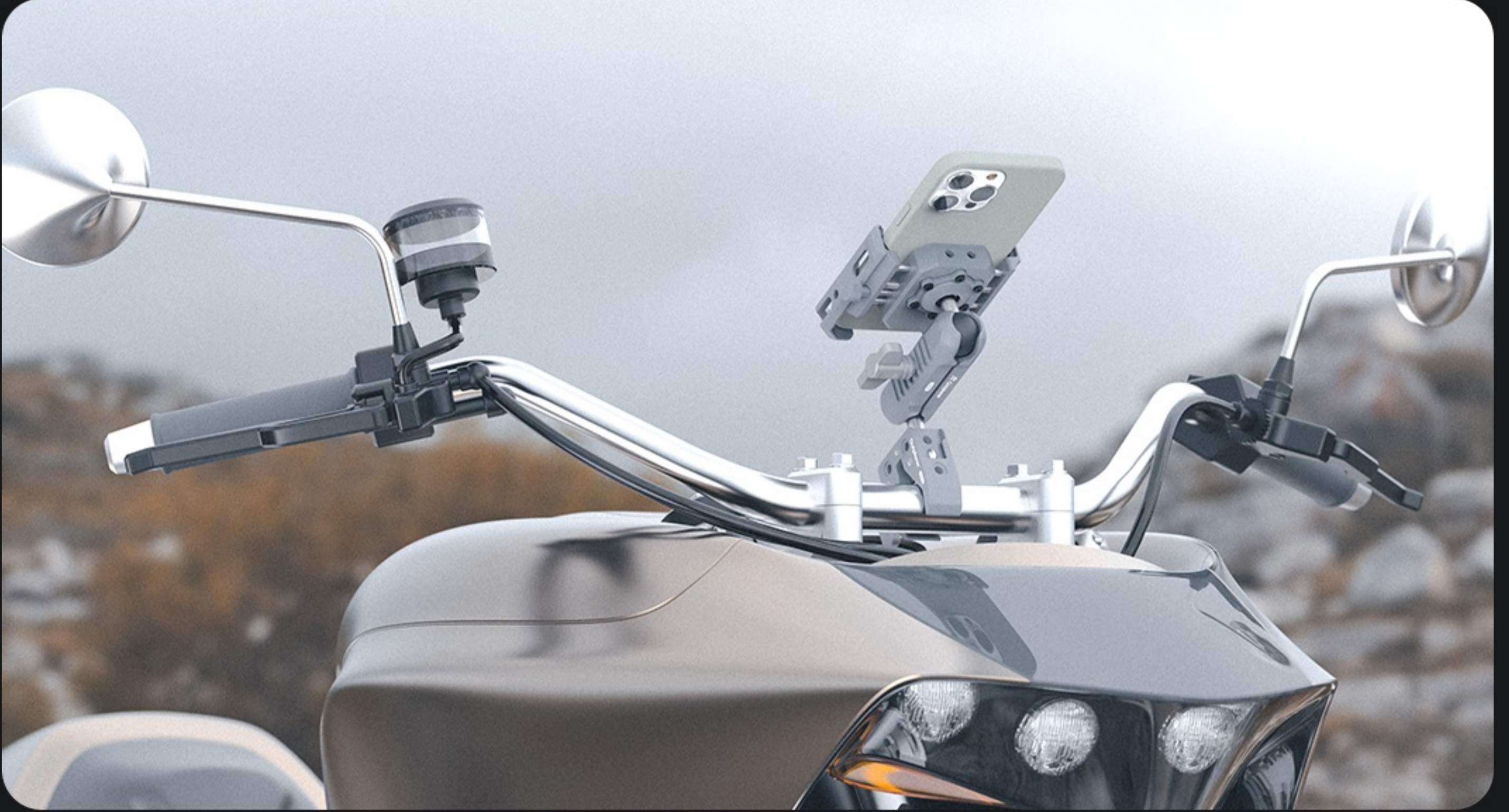
# Outplorer

Double Socket Arm

DA90





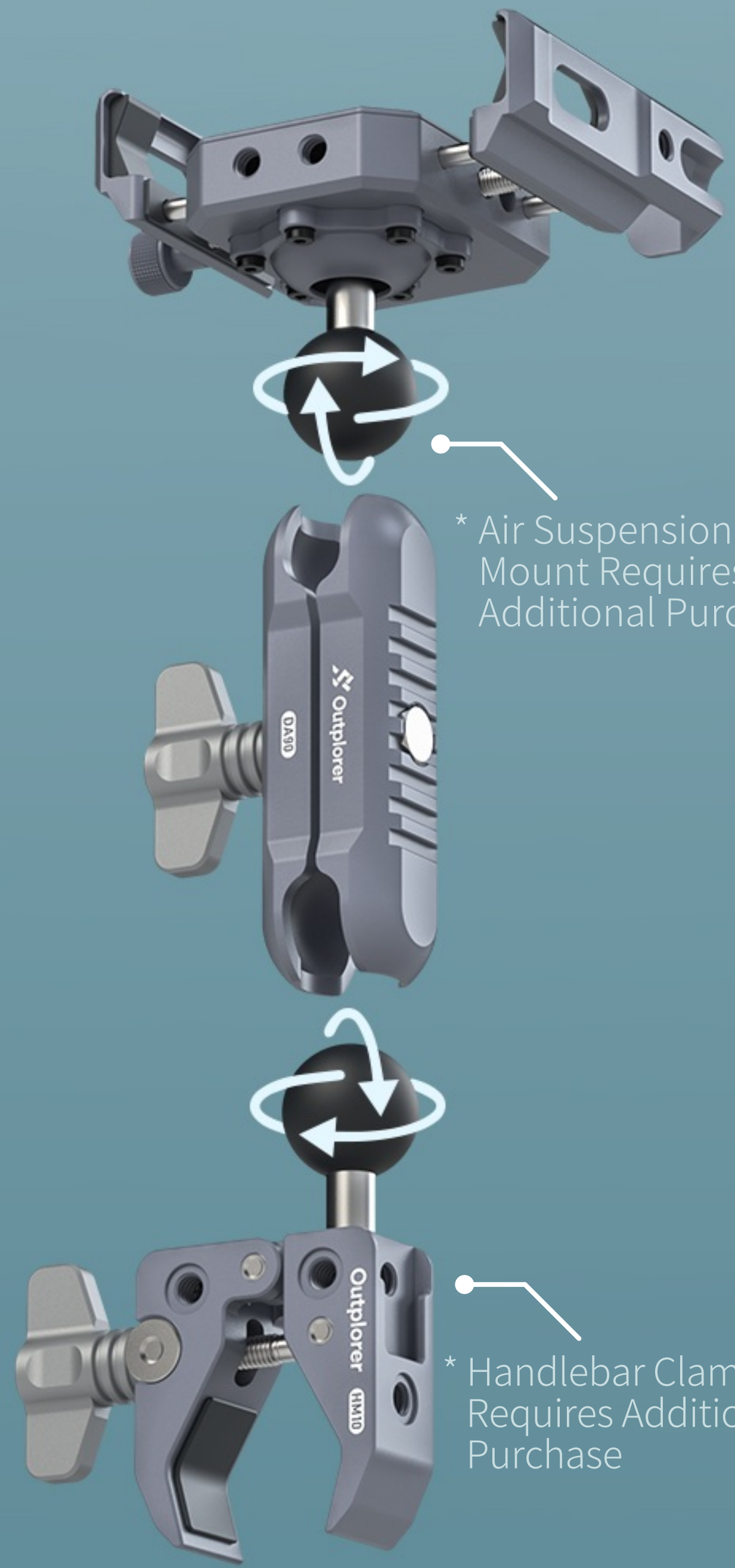
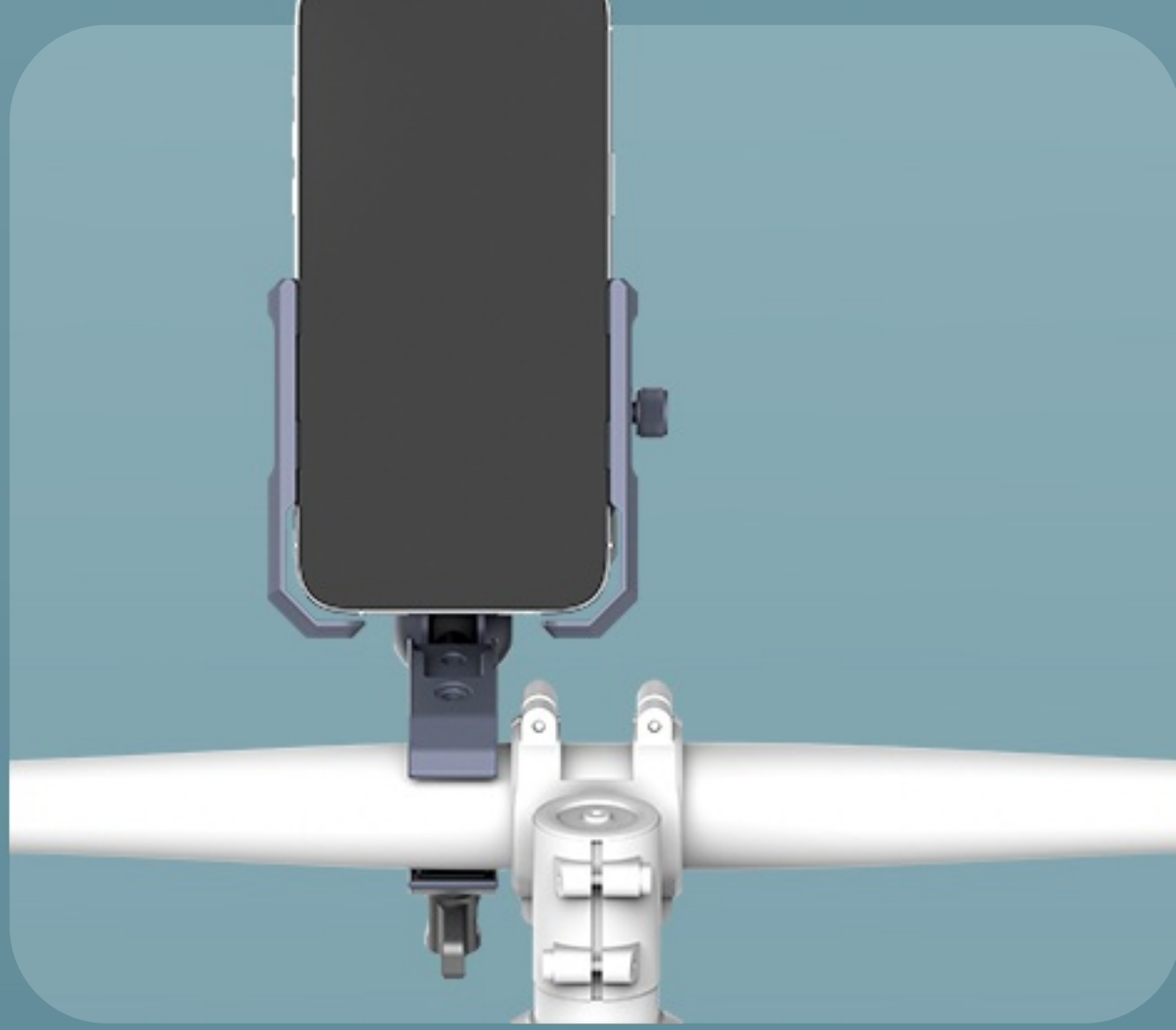
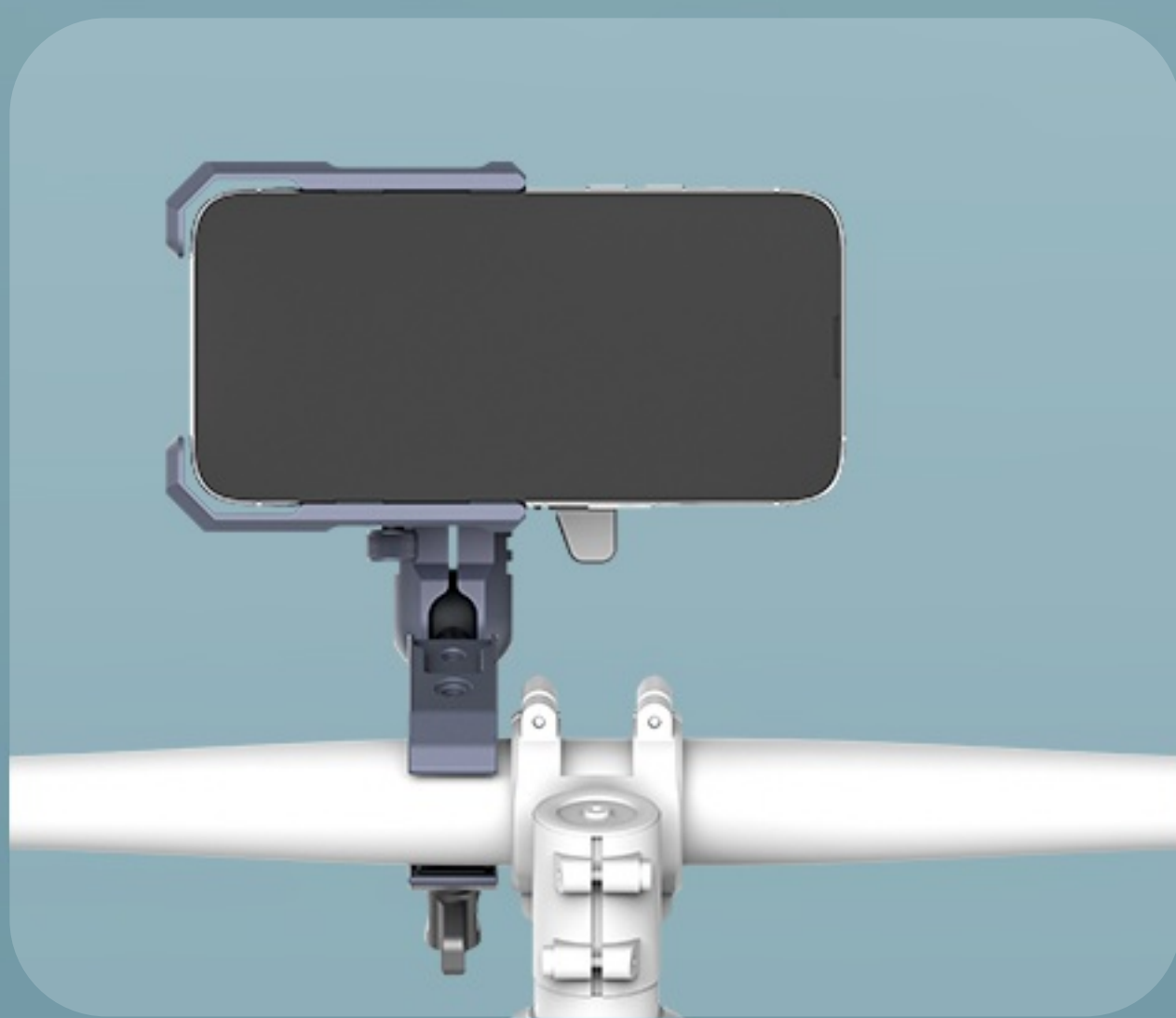


# Universal Rotation Angle as You Wish

The support rod part of the Outplorer air suspension mount series adopts a universal ball head connecting rod design.



It allows the rider to **freely adjust** the installation angle of the equipment, and can adapt to different equipment and installation environments by replacing the corresponding **ball head accessories**.



25.4 mm (1 inch)  
Standard Steel Core  
Ball Head

# Anti-Theft Design

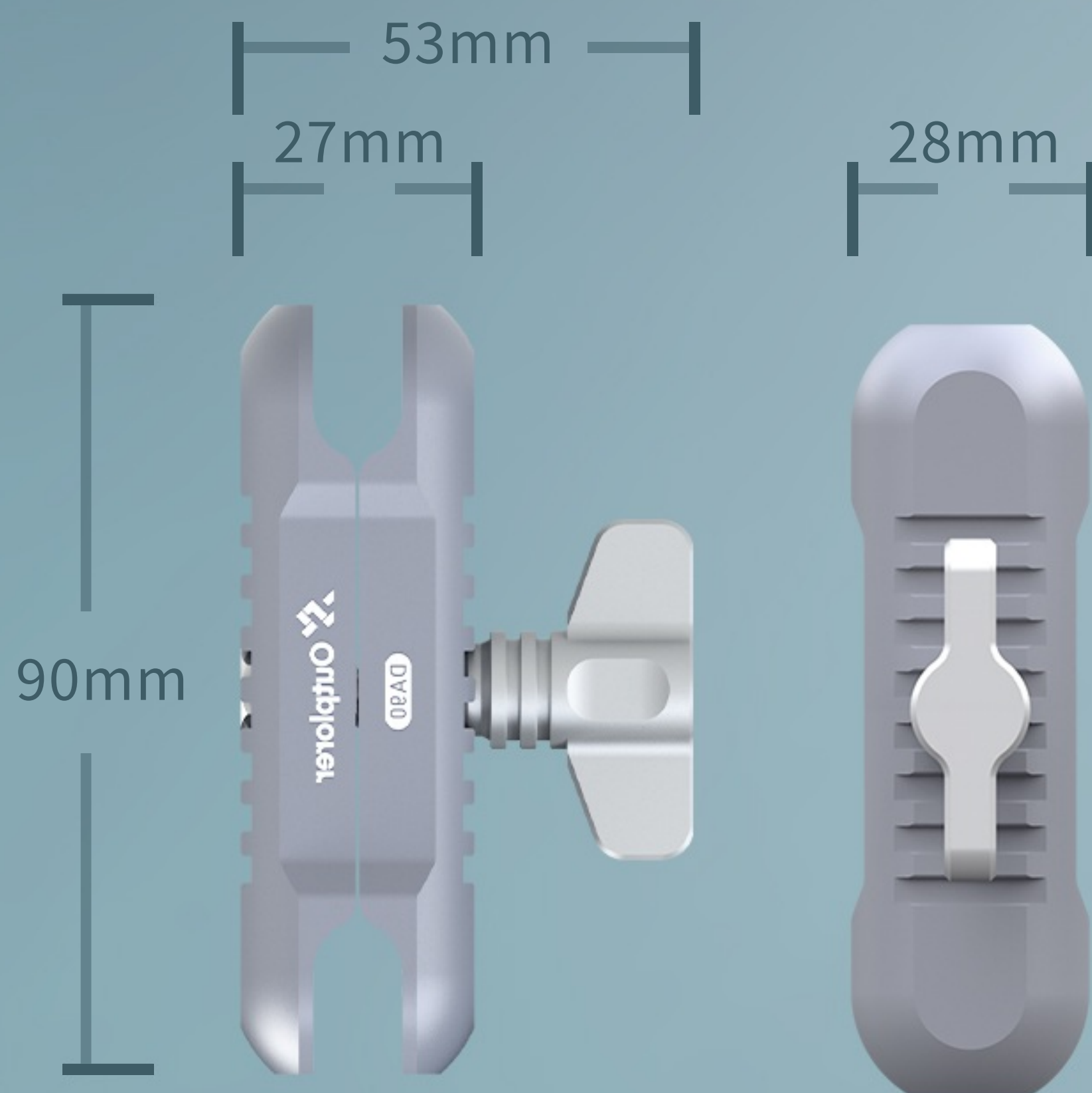
The anti-theft knob can be replaced when parked outdoors for a long time, and a dedicated wrench is required to open it.



\* Anti Theft Bolt Kit Requires Additional Purchase

# Product Specifications

The measurements of the dimensions are manually conducted, hence a slight tolerance is inevitable. We kindly ask for your understanding.



**Name**

Double Socket Arm (Medium)

**Model**

DA90

**Material**

Aluminum Alloy, Zinc Alloy  
Stainless Steel