

Outplorer

Carbon Fiber Handlebar Extender

HE10

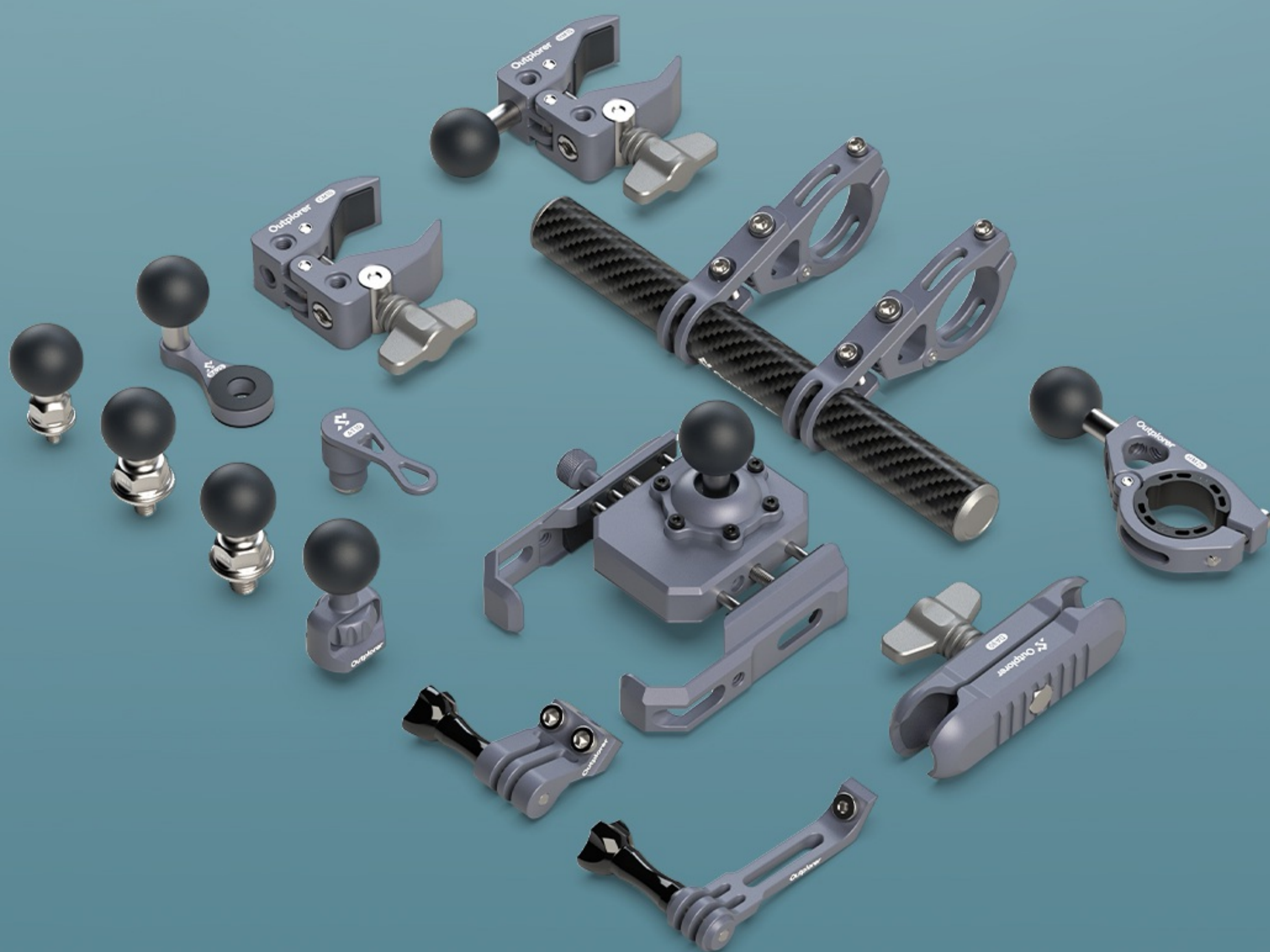




HE10
Carbon Fiber Handlebar Extender

Modular Design

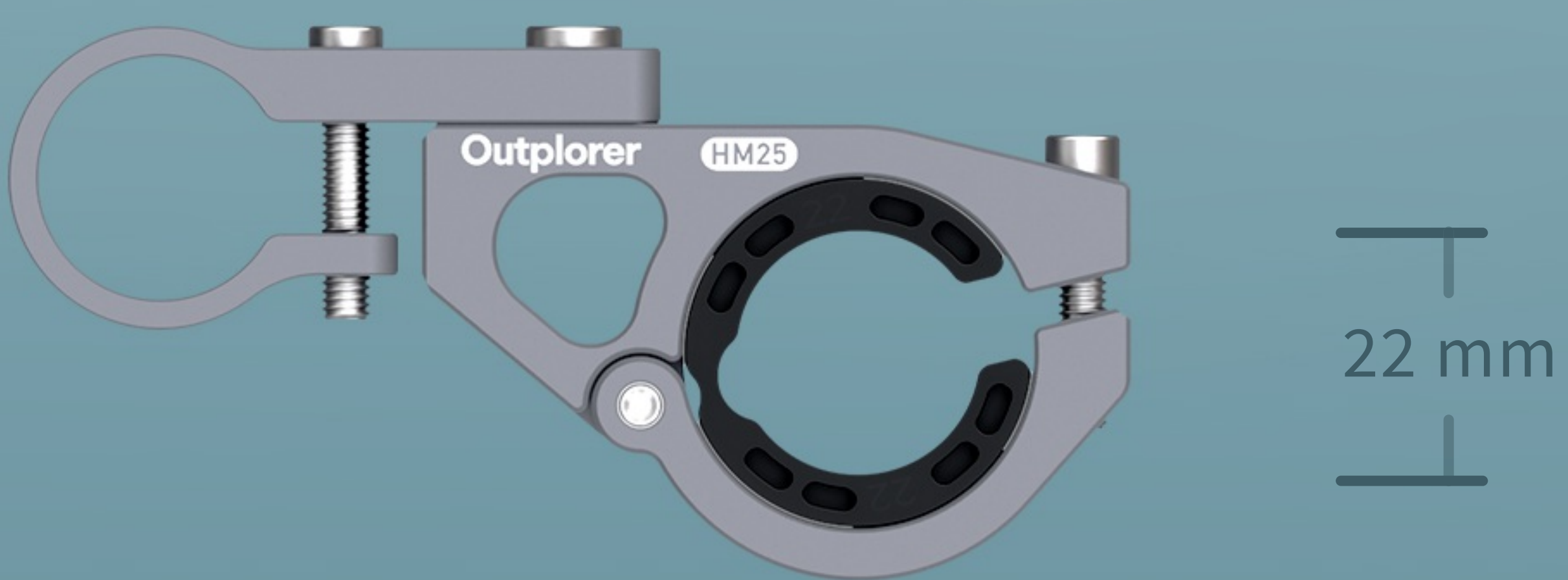
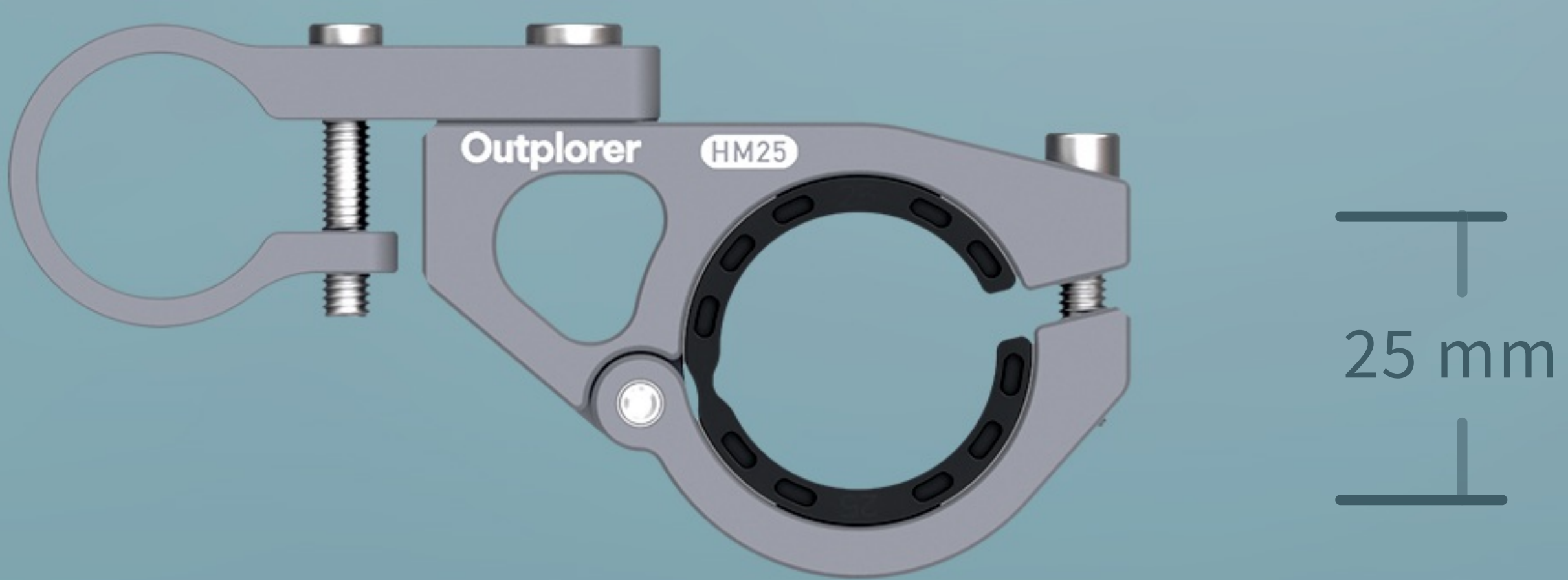
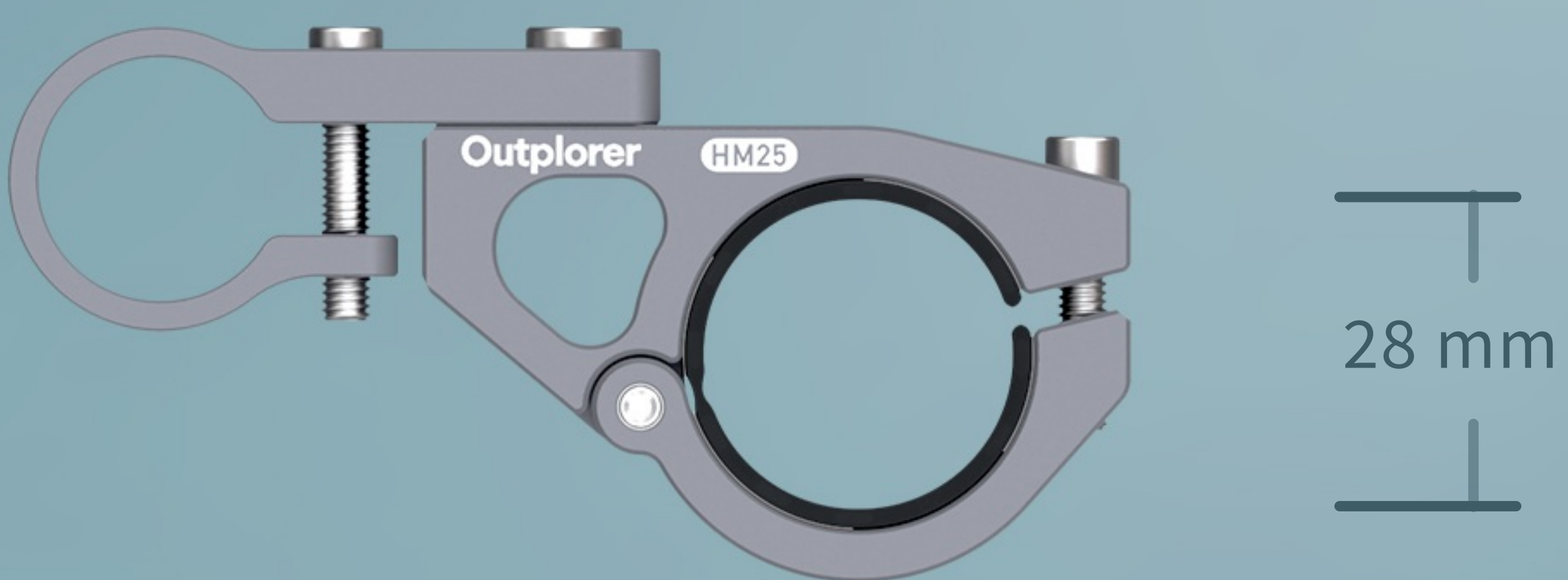
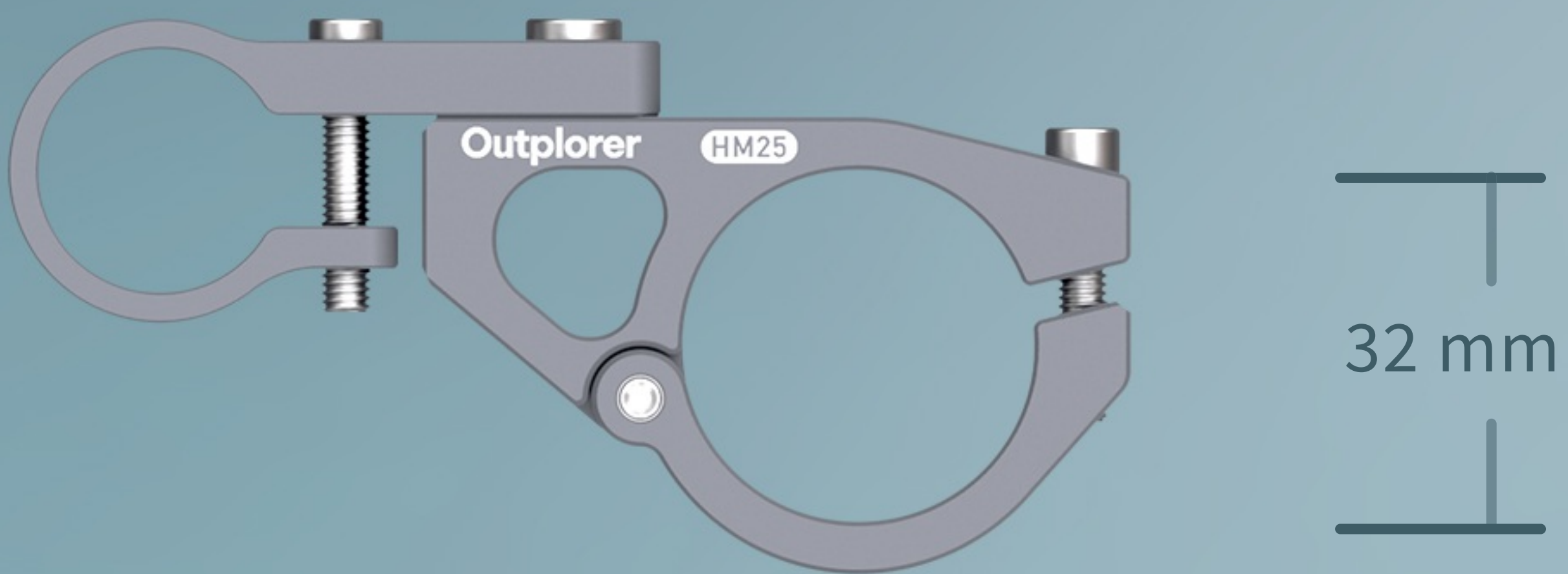
The Outplorer air suspension mount series products adopt a **modular design**, where different modules combine to adapt to various scenarios and carriers, offering cycling enthusiasts more freedom for hands-on space and choice of play.





Wide Applicability

The Outplorer clamp mount maximum clamping distance can reach **32mm**, and it can achieve a minimum clamping range of **22mm**, meeting the needs of users in most usage scenarios.

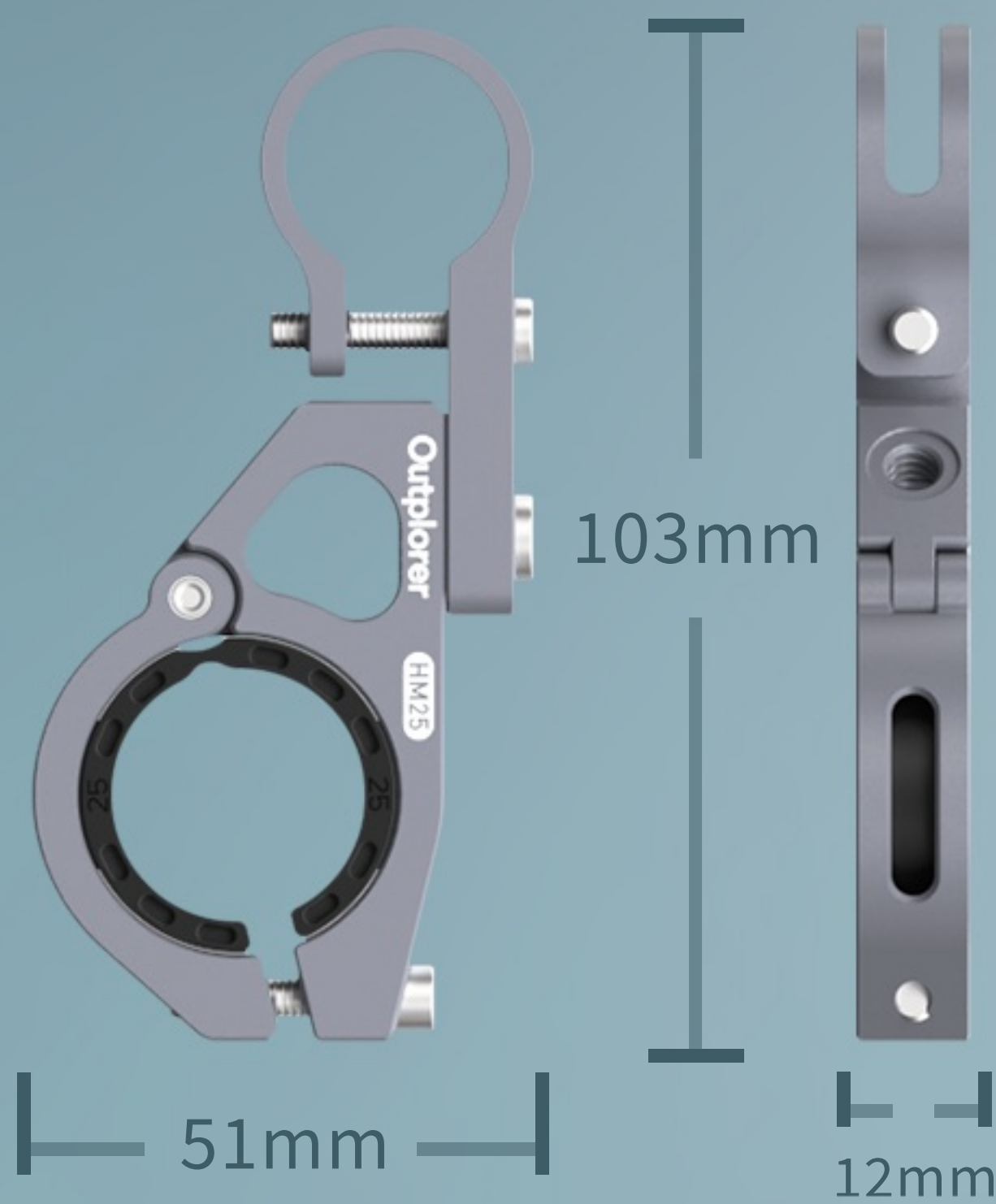


The Plastic Ring Insert for the Handlebar Mount

Offering enhanced protection for your cherished vehicle, safeguarding it from the vexation of scratches.

Product Specifications

The measurements of the dimensions are manually conducted, hence a slight tolerance is inevitable. We kindly ask for your understanding.



Name

Carbon Fiber Handlebar Extender

Model

HE10

Material

Carbon Fiber, Aluminum Alloy,
Stainless Steel, TPR